

TVM-2402

TruVision 24" LED, VGA, HDMI, BNC, Ijud, stereoljud in, full HD, 1920X1080

Overview

The LED TVM range of monitors is the latest advancement in TruVision monitors. Providing superior image quality through HDMI, VGA and BNC connections, these monitors are a great fit for today's demanding video surveillance market.

Whether displaying analog or IP resolutions, these monitors are designed to provide top image quality paired with industrial reliability.

These monitors are designed to perform 24/7 and are design with security applications in mind.

Capabilities

The TVM-2402 is a 24" class monitor, offering HDMI, VGA and BNC connections. The monitor has two built in speakers and is provided with VESA wall mount holes, making them easy to combine with a variety of TruVision mounting accessories. The on screen display allows for full control of images settings such as brightness, contrast and colour temperature.



Detaljer

- 24" LED Backlight
- Full HD resolution
- 16:9 aspect ratio
- 1920 x 1080 recommended resolution
- 1,000:1 contrast ratio for crisp images
- 3D comb filter for optimal image quality
- Multiple inputs including BNC, VGA, HDMI
- BNC analog input

TVM-2402

TruVision 24" LED, VGA, HDMI, BNC, ljud, stereoljud in, full HD, 1920X1080

Tekniska specifikationer

Allmänt

Teknik	LED
VESA-kompatibilitet	100 x 100 mm
Inkluderade tillbehör	Manual, Power Cord, Remote Control

Visa

Skärmstorlek	23.6"
Bildförhållande	16:9
Kontrastförhållande	1000:1
Ljusstyrka	250 cd/m ² (typ)
Kompatibla videostandarder	NTSC/PAL Auto Detect
Rekommenderad upplösning	1920 x 1080 @ 60 HZ

Gränssnitt

BNC-video I / O	1/1
VGA-video in	Ja
HDMI-videoingång	1
RCA-ljud in	1
PC stereo inn	Ja
Ljud ut	Nej

Operationer

Fjärrkontrollsupport	Nej
----------------------	-----

Elektrisk

Strömförsörjningstyp	100 till 240 VAC
----------------------	------------------

Fysisk

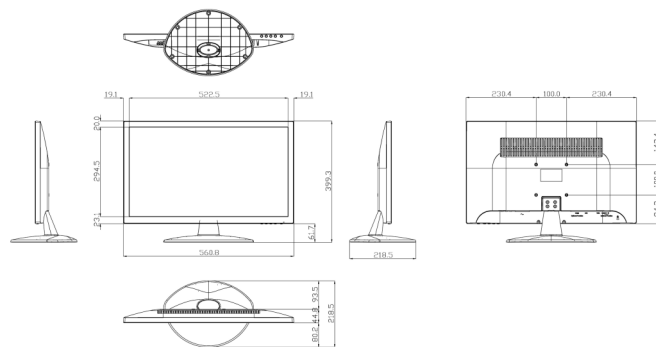
Färg	Svart
Hus typ	Plast

Miljö

Miljö	Inomhus
-------	---------

Reglerande

Undfallenhet	CE
--------------	----



Carrier Fire & Security förbehåller sig rätten att ändra produktspecifikationer utan föregående meddelande. För de senaste produktspecifikationerna, besök se.firesecurityproducts.com online eller kontakta din försäljningsrepresentant.

Last updated on 7 August 2023 - 11:35