

KFP-AF1-S-10

Addressable Fire Panel - 1 Loop small cabinet - Italian

Overview

The KFP-A Series life safety control systems are bringing the speed and functionality of high-end intelligent processing to small to mid-sized addressable applications. They feature an attractive contemporary design that fits with any decor. Special plastics allows for painting in any color and the easy to remove electronics will support in this matter. The gently curved door with the intuitive dark inset user interface and EN54 compliant graphical LCD offers a distinctive flair. The main controls are clearly, but discreetly highlighted with the focus on the central located Jog Dial.

With the addressable detection and a full line of easily configured option cards and modules, USB and Ethernet® connectivity, these quick-to-configure systems offer versatility that benefits building owners and life safety system installers alike.

The Panel

The fire panels supplied in local language, with user interface, with 1 loop that supports up to 250 devices in 512 zones, have standard 2 supervised sounder/fire-routing outputs, which can be used as freely programmable outputs as well. In addition 2 conventional relay outputs and 2 supervised outputs, working in pair and dedicated to common fire and fault conditions, as well as 2 user configurable inputs for monitoring and control are available.

Options

The panels supports one network board to create a maximum of 32 nodes / 32 loops network of fire panels, fire panel repeaters (including conventional fire panels and fire panel repeaters up to a maximum of 64 conventional zones). Last but not least, in case separate zone indications are required, a 24 zone fire/fault LED indicator board can be mounted in the panel or repeater with space for a 4 digit number.

Approvals & Compliance

- CE / CPD / EN54-2 / EN54-4
- NEN2535 / NBNS21-100 compliant
- BS5839-1 compliant
- VdS and LPCB certified
- WEEE / RoHS compliant



Detaljer

- 1 loop with up to 512 zones and 300 output groups
- Up to 24 LED Zone indicators for Fire and Fault with space for a 4 digit number
- Auto configuration and default regional setup modes
- Ethernet port with TCP/IP for remote maintenance and programming
- EN54 compliant graphical LCD with icons and up to 256 zones
- Jog Dial with 4 soft buttons for simple and intuitive user control
- Aesthetic pleasing design with special paintable synthetic door
- Easy removable door and chassis for quick and clean installation
- All pluggable connectors
- 3 USB ports with memory stick support and RS232 for printer support
- Email notification for events directly from the panel (4 user accounts)
- Auxiliary 24VDC supply output with reset support
- 3 operator level menu structure (20 user names and passwords)
- History log memory for 9999 events
- Up to 24 hours standby time and 30 minutes alarm
- Compatible with the KL700A series detectors with replaceable optical chamber and loop powered sounders and base sounders

KFP-AF1-S-10

Addressable Fire Panel - 1 Loop small cabinet - Italian

Tekniska specifikationer

Allmänt

Maximum system capacity (device count)	up to 16000
Nätverksstorlek (noder)	up to 64

Elektrisk

Power supply type	VAC
Operating voltage	110 / 230 VAC (+10% / -15%)
Nuvarande förbrukning	Nom. 0.6 / 1.3 A, Max. 1.5 / 3.15 A

Slinga

Maximal slingkapacitet	1
------------------------	---

Zon

Maximal zonkapacitet	up to 512
----------------------	-----------

Standby-batteri

Capacity	Max. 2 x 12 V, 7.2 Ah (use supplied cables)
----------	---

Fysisk

Form factor	Liten
Fysiska dimensioner	410 x 298 x 162 mm (W x H x D)
Nettovikt	5.2 kg (without battery)
Fraktvikt	6.6 kg
Färg	Ren vit (RAL 9010)
Mounting type	Ytmontering
Cable entries	9 (20 mm) / 2 (20 mm) / 2 removable plates (Top /Bottom/Back)

Miljö

Driftstemperatur	-5 to +40°C
Storage temperature	-10 to +50°C
Relative humidity	95% max. noncondensing
Miljö	Inomhus
IP rating	IP30: for indoor use only

Reglerande

Compliance	BS5839-1, CPD, LPCB, NBNS21-100, NEN2535, RoHS, WEEE
Intygande	EN54-13, EN54-2, EN54-21, EN54-4, VdS

Mains supply

Frequency	50 / 60 Hz (±5%)
Fuse rating	2 / 4 A
Cable type	3 x 1.5 mm ² (live, neutral, earth)

Uscite

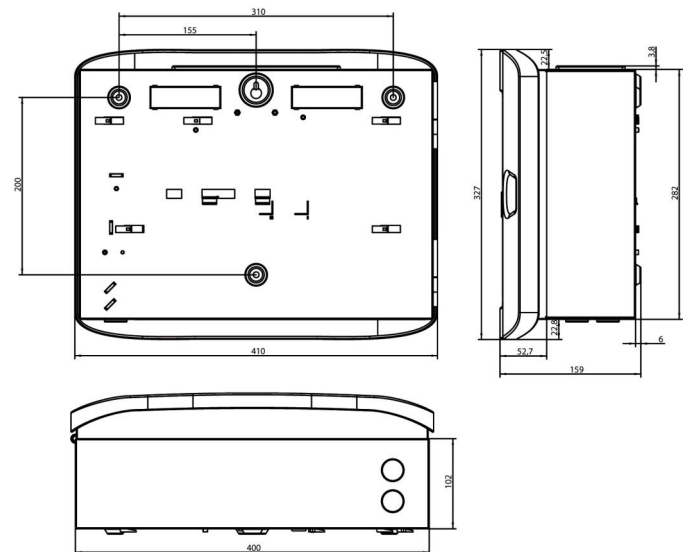
Programmable supervised	2, 750mA / 19.5-28VDC (24VDC nominal)
General Fire + Fault supervised	2, 350mA / 19.5-28VDC (24 VDC nominal)
General Fire + Fault relay	2
Aux	1 resetable, 500mA / 19.5-28VDC (24VDC nominal)
Cable type	Recommended 2 core 1.5 mm ² twisted pair
End of Line resistor	15kohm

Ingressi

Programmable	2
Cable type	Recommended 2 core 1.5 mm ² twisted pair
End of Line resistor	15kohm
Maximum Load	150 mA

Loops

Outputs	1, 250 mA / 29VDC (29VDC to 36VDC)
Cable length	52ohm / 500nF max. 2 km
Cable type	Recommended 2 core 1.5 mm ² twisted pair



Carrier Fire & Security förbehåller sig rätten att ändra produktspecifikationer utan föregående meddelande. För de senaste produktspecifikationerna, besök se.firesecurityproducts.com online eller kontakta din försäljningsrepresentant.

Last updated on 15 February 2024 - 10:59