

TVT-5502

TruVision IP Turret Camera, H.265/H.264, 8MPX, 4mm Fixed Lens, True D/N, WDR, 30M IR, Micro SD/SDHC/SDXC Slot, PoE (802.3-af)/12VDC, IP67

Overview

The TruVision Series 5 line of IP Turret form factor cameras leverages the latest H.265 video compression technology to bring state-of-the-art, high-definition pictures to the mass video surveillance market. With camera resolutions of 3 or 8 megapixel, these IP cameras represent a flexible video surveillance device to meet any need. Equipped with advanced technology and signal processing capability, they effectively capture video under challenging conditions.

TruVision cameras utilize H.264 and/or H.265 compression technology with triple-streaming capability, making it easy to manage the camera's bandwidth usage. Motorized varifocal lens technology allows the user to remotely adjust the varifocal lens length and focus the camera with the touch of a button. Select models feature Low Light technology, which provides a clear image in low lighting conditions with a minimum of "grainy" interference. Recording to a local MicroSD card (not included) protects data in the event of network disruptions.

These cameras go above and beyond standard motion detection with enhanced alarm capabilities, including cross lines, intrusion, de-focus and face detection features. Each is user-configurable to best suit the installation environment. A Region of Interest function ensures specific portions of an image are given priority during instances of high network traffic or network degradation.

Location-specific functions include a Hallway View Mode to provide a portrait view of a hallway or corridor, a De-Fog Mode to help resolve images through fog or rain and Electronic Image Stabilization for installations subject to physical vibration or shaking.



Dettagli

- Maximum Resolution: 3840 x 2160/4K
- Maximum Real Time Resolution: 2560 x 1929 @ 25/30 fps (50/60 Hz)
- Designed to PSIA and ONVIF Profile G and S open standards
- H.265 and/or H.264 compression with triple-streaming functionality
- Edge recording up to 128GB SDHC card
- 1/2.8 CMOS image sensor
- Motorised IR Cut Filter
- Low Light: Color: 0.01 Lux @ (f1.2, AGC ON), 0 Lux IR on
- Fixed Lens 4mm
- Up to 30m IR illumination
- Up to 120dB Wide Dynamic Range
- On board intelligence

TVT-5502

TruVision IP Turret Camera, H.265/H.264, 8MPX, 4mm Fixed Lens, True D/N, WDR, 30M IR, Micro SD/SDHC/SDXC Slot, PoE (802.3-af)/12VDC, IP67

Specifiche tecniche

Generale

Tecnologia	IP
Standard Video	NTSC, PAL
Modalità di visualizzazione	Hallway View, Mirror, ROI (Region Of Interest)
Compatibilità Software	OnGuard, Prism, TruVision Navigator, TVRmobile, Web Browser

Telecamera

Dimensioni del sensore	1/2.8"
Risoluzione Max.	8 MP (4K)
Scansione del sensore	Progressive
Tipo di sensore	CMOS

Prestazioni di illuminazione

Tipo WDR	True WDR
Giorno / notte	True Day/Night
Rimozione del filtro IR motorizzata	Si
Infrarosso (IR)	Si

Codifica

Flussi video	3
Compressione flusso principale	H.264, H.265
Compressione flusso secondario	H.264, H.265, MJPEG
Risoluzione flusso principale	1280 x 720 (XVGA), 1920 x 1080 (1080p), 2560 x 1440, 3072 x 1728, 3840 x 2160, 704 x 576 (4CIF)
Risoluzioni flusso secondario	320 x 240 (QVGA), 640 x 360 (nHD), 640 x 480 (VGA), 704 x 576 (4CIF)

Lente

Tipo obiettivo	Fisso
Diaframma automatico	No

Rete

Interfaccia di rete	RJ-45 10/100 Mbps self-adaptive Ethernet interface
Integrazione	CGI, ISAPI, ONVIF Profile G, ONVIF Profile S, ONVIF Profile T, PSIA
Protocolli di rete supportati	802.1x, Bonjour, DDNS, DHCP, DNS, ezDDNS, FTP, HTTP, HTTPS, IGMP, IPv4, IPv6, RTCP, RTP, RTSP, SMTP, SNMP, TCP/IP, UDP, UPnP

Memoria

Supporto registrazione locale	Si
-------------------------------	----

Intelligenza video

Attivazione allarme	Rivelatori di movimento, Privacy Masking, Video tampering
Analisi video	Rilevazione avanzata del movimento, Face detection, Intrusion detection, Rilevazione Line crossing, Rilevazione oggetto rimosso, Rilevazione di bagagli incustoditi

Fisico

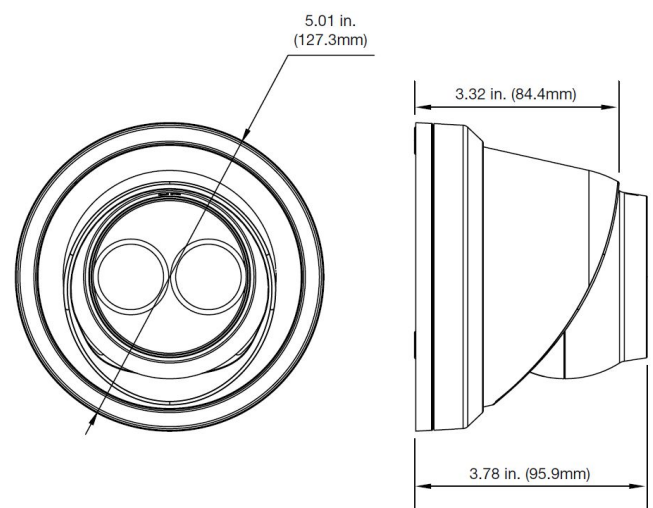
Colore	Grigio
Form Factor	Turret

Ambientale

Ambiente	All'aperto
----------	------------

Regolatorio

Conformità	CE, FCC, HALT, REACH, RoHS, UL, WEEE
------------	--------------------------------------



In quanto azienda in continua innovazione, Carrier Fire & Security si riserva il diritto di modificare le specifiche del prodotto senza preavviso. Per avere informazioni sempre aggiornate, visita it.firesecurityproducts.com online o contatta il tuo riferimento commerciale.