

# TVB-5501

**TruVision IP Bullet Camera, H.265/H.264, 3MPX, Low Light, 4mm Fixed Lens, True D/N, WDR, 30M IR, Micro SD/SDHC/SDXC Slot, PoE (802.3-af)/12VDC, IP67**

## Overview

The TruVision Series 5 line of IP bullet form factor cameras leverages the latest H.265 video compression technology to bring state-of-the-art, high-definition pictures to the mass video surveillance market. With camera resolutions of 3 or 8 megapixel, these IP cameras represent a flexible video surveillance device to meet any need. Equipped with advanced technology and signal processing capability, they effectively capture video under challenging conditions.

TruVision cameras utilize H.264 and/or H.265 compression technology with triple-streaming capability, making it easy to manage the camera's bandwidth usage. Motorized varifocal lens technology allows the user to remotely adjust the varifocal lens length and focus the camera with the touch of a button. Select models feature Low Light technology, which provides a clear image in low lighting conditions with a minimum of "grainy" interference. Recording to a local MicroSD card (not included) protects data in the event of network disruptions.

These cameras go above and beyond standard motion detection with enhanced alarm capabilities, including cross lines, intrusion, de-focus and face detection features. Each is user-configurable to best suit the installation environment. A Region of Interest function ensures specific portions of an image are given priority during instances of high network traffic or network degradation.

Location-specific functions include a Hallway View Mode to provide a portrait view of a hallway or corridor, a De-Fog Mode to help resolve images through fog or rain and Electronic Image Stabilization for installations subject to physical vibration or shaking.



## Dettagli

- Maximum Resolution: 2048 x 1536
- Maximum Real Time Resolution: 2048 x 1536 @ 25/30 fps (50/60 Hz)
- Designed to PSIA and ONVIF Profile G and S open standards
- H.265 and/or H.264 compression with triple-streaming functionality
- Edge recording up to 128GB SDHC card
- 1/2.8 CMOS image sensor
- Motorised IR Cut Filter
- Super Low Light: Color: 0.005 Lux @ (f1.2, AGC ON), 0 Lux IR on
- Fixed Lens 4mm
- Up to 30m IR illumination
- Up to 120dB Wide Dynamic Range
- Intelligence (Face detection, Audio Exception Detection, Intrusion Detection, De-focus Detection, Region of Interest (ROI), Electronic Image Stabilization (EIS), Defog, Scene Change Detection, Cross Line Detection, Advanced Motion Detection, Region Entrance Detection, Region Exit Detection, Object Removal, Object Left Behind, Object Counting)

# TVB-5501

TruVision IP Bullet Camera, H.265/H.264, 3MPX, Low Light, 4mm Fixed Lens, True D/N, WDR, 30M IR, Micro SD/SDHC/SDXC Slot, PoE (802.3-af)/12VDC, IP67

## Specifiche tecniche

### Generale

Technology	IP
Video standard	NTSC, PAL
Modalità di visualizzazione	Hallway View, Mirror, ROI (Region Of Interest)
Software compatibility	OnGuard, Prism, TruVision Navigator, TVRmobile, Web Browser

### Telecamera

Sensor size	1/2.8"
Max. resolution	3 MP
Sensor scan	Progressive
Sensor type	CMOS

### Prestazioni di illuminazione

WDR type	True WDR
Day/night	True Day/Night
Motorized IR cut filter	Si
Infrared (IR)	Si

### Codifica

Main stream compression	H.264, H.265
Sub stream compression	H.264, H.265, MJPEG
Main stream resolutions	1280 x 720 (XVGA), 1920 x 1080 (1080p), 2048 x 1536 (QXGA), 704 x 576 (4CIF)
Sub stream resolutions	320 x 240 (QVGA), 640 x 360 (nHD), 640 x 480 (VGA), 704 x 576 (4CIF)

### Lente

Tipo obiettivo	Fisso
Auto iris	No

### Rete

Integration	CGI, ISAPI, ONVIF Profile G, ONVIF Profile S, ONVIF Profile T, PSIA
Supported network protocols	802.1x, Bonjour, DDNS, DHCP, DNS, ezDDNS, FTP, HTTP, HTTPS, IGMP, IPv4, IPv6, NTP, PPPoE, QoS, RTCP, RTP, RTSP, SMTP, TCP/IP, UDP, UPnP

### Memoria

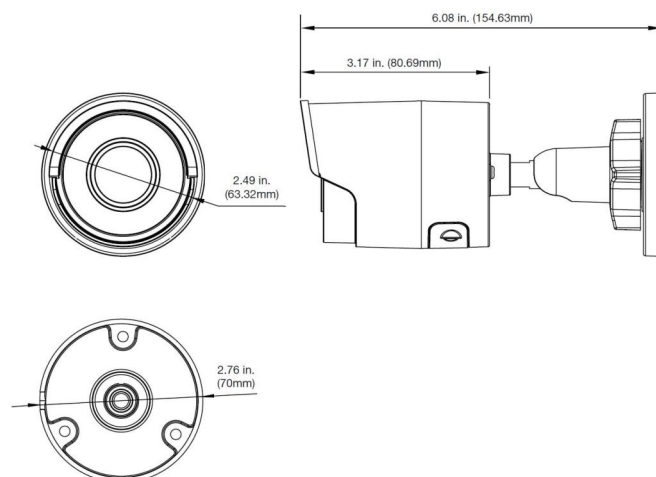
Supporto registrazione locale	Si
-------------------------------	----

### Intelligenza video

Analisi video	Rilevazione avanzata del movimento, Face detection, Intrusion detection, Rilevazione Line crossing, Rilevazione oggetto rimosso, Rilevazione cambio scena, Rilevazione di bagagli incustoditi
---------------	---

### Fisico

Colour	Grigio
Form Factor	Bullet



In quanto azienda in continua innovazione, Carrier Fire & Security si riserva il diritto di modificare le specifiche del prodotto senza preavviso. Per avere informazioni sempre aggiornate, visita [it.firesecurityproducts.com](http://it.firesecurityproducts.com) online o contatta il tuo riferimento commerciale.