

MC251-4P/1S

4-Port 10/100Base-Tx IEEE802.3af Copper + 1-Port SFP Unmanaged Media Converter (4x 15,4W PoE Budget) (-40~75°C) - Power 24-48V DC or 24V AC - Din rail or Wall Mount -

Overview

IFS Ethernet to SFP Industrial Media Converters offer four 10/100Mbps Ethernet ports and 100Base-FX transmission on either multi-mode or single mode optical utilizing SFP technology. Specifically designed for stable and reliable operation in electrically harsh and climatically demanding environments, the module's slim, IP-30 standard metal case accommodates DIN-rail or wall mounting for efficient installation in multiple applications.

These converters are engineered with a high-performance switch architecture capable of providing a non-blocking switch fabric and wire-speed throughput as high as 1Gbps or 1.2Gbps. With the 2K MAC address table, these media converters offer wire-speed packet transfer performance without the risk of packet loss. The Flow Control function allows these modules to deliver fast and reliable data transfer. The MC251-4P/1S model provides full IEEE802.3-af (15.4w) on each individual 4 ports, while the MC250-4T/2S model is a non-PoE unit designed for drop-and-repeat applications.

Providing extended distance Ethernet transmission, these units are well suited for remotely deployed edge devices such as IP cameras, access control, VoIP and wireless access points.



Dettagli

- 4 RJ-45 Ports 10/100Base-TX w/PoE
- Auto MDI/MDI-X
- Auto-negotiation
- 1 SFP Port (MC251-4P/1S)
- Store-and-Forward switching architecture with wire-speed filtering and forwarding rates
- Prevents packet loss with back pressure (half-duplex) and IEEE 802.3x PAUSE frame-flow control (full-duplex)
- Up to 4 IEEE 802.3af devices powered
- Complies with IEEE 802.3af Power over Ethernet End-Span PSE
- Supports up to 15.4 watts for each PoE port
- Auto detect powered device (PD)
- Circuit protection prevents power interference between ports
- Remote power feeding up to 328 ft. (100m)
- Robust Hardened Design
- Provides either DIN-rail or wall-mounting
- 24 ~ 48VDC or 24VAC Operation (MC251-4P/1S)
- Redundant power with reverse-polarity protection
- Alarm relay output for power-failure alert
- Voltage/surge-suppression
- Complies with IEC60068-2-xx standards for free-fall, shock and vibration
- Wide operating temperature range of -40°C ~ +75°C

MC251-4P/1S

4-Port 10/100Base-Tx IEEE802.3af Copper + 1-Port SFP Unmanaged Media Converter (4x 15,4W PoE Budget) (-40~75°C) - Power 24-48V DC or 24V AC - Din rail or Wall Mount -

Specifiche tecniche

Generale

Categoria	Industriale
Tipo	Da Ethernet a SFP
Cambia velocità effettiva (Mpps)	0.744
Tavolo Mac	2 K
Uscita guasto relè	Si

Conessioni

No. di porte	4
Velocità porta	Veloce
Tipo porta	10/100
Porta fibra	1
Tipo porta fibra	SFP
Velocità porta fibra	100Base FX/LX/BX
Supporto SFPs	S20/S25 series
Distanza fibra	SFP dependant
Connettore fibra	LC
Lunghezza d'onda	SFP dependant

Elettrico

Tipo di alimentatore	24 a 48 VDC, 24 VAC
Consumo di energia	77 W max.
PoE	Si
PoE / PoE+	4 ports PoE (802.3af)

Fisico

Dimensioni fisiche	56 x 87 x 135 mm, 2.20 x 3.46 x 5.31 in (W x D x H)
Peso netto	842 g, 1.86 lbs
Cambia tessuto	1 Gbps
Tipo di montaggio	barra DIN, Montaggio a parete

Ambientale

Temperatura operativa	-40 to +75°C
Temperatura di immagazzinamento	-40 to +85°C
Umidità relativa	0 to 90% noncondensing
IP rating	IP30

RJ45 Ports

10/100Base-TX Connectors	RJ-45 (4)
Port Configuration	Auto MDI/MDI-X
Port Speed	Auto-negotiate
Electro Static Discharge (ESD) Protection	6 kVDC

SFP Ports

Data Rate	100Base-FX/BX/LX
# of SFP Ports	1
Optical Fiber Type	Varies by SFP
Optical Distance	Varies by SFP

PoE (MC251-4P/1S only)

PoE Standard	IEEE 802.3af Power over Ethernet / PSE
PoE Power Supply Type	End-Span
PoE Power Output	Per Port 48 VDC, 350 mA. Max. 15.4 W
Power Pin Assignment	1/2(+), 3/6(-)

Performances des commutateurs

Switch Architecture	Store-and-Forward
Switch Fabric	1 Gbps / non-blocking
Throughput (Packet per second)	0.744 Mpps @ 64bytes
Address Table	2 K entries
Shared Data Buffer	1 Mbit on-chip frame buffer
Maximum Frame Size	1522 Bytes packet
Flow Control	Back pressure for Half-Duplex, IEEE 802.3x PAUSE Frame for Full-Duplex

LED Indicators

Power	Power input 1 - Green; Power input 2 - Green
Power Fault	Proper Operation - Off; Fault -Green
RJ-45 (10/100Mbps)	100Mbps Activity - Green; 10Mbps Activity - Off
Fiber (100Base-FX)	Connected to network - Green
Optical Link	Link established - Steady Green; TX/RX Activity - blinking green
PoE (MC251-4P/1S only)	PoE in use - Amber -

Electrical & Mechanical

Electrical Fast Transient (EFT) Protection	6 kVDC
Power and Alarm Fault Connector	6-pin removable screw terminal
Alarm Fault Relay	Provides one relay output for power failure notification; 24VDC - 1A max.
Enclosure	IP-30 slim-type metal enclosure

Environnement

MTBF	>100,000 h @ 25°C
------	-------------------

Standards Compliance

IEEE Standards	IEEE 802.3 10Base-T; IEEE 802.3u 100Base-TX /100Base-FX; IEEE 802.3x Flow Control and Back pressure IEEE802.3-af PoE (15.4w) - MC251-4P/1S only
IEC Standards	IEC60068-2-32 (Free fall) IEC60068-2-27 (Shock) IEC60068-2-6 (Vibration)
EIA/TIA-568 Standards	2-Pair UTP Cat. 3, 4, 5 (100meters, max.) EIA/TIA-568 100-ohm STP (100meters, max.)
Regulation	FCC Part 15 Class A, CE

Accessoires

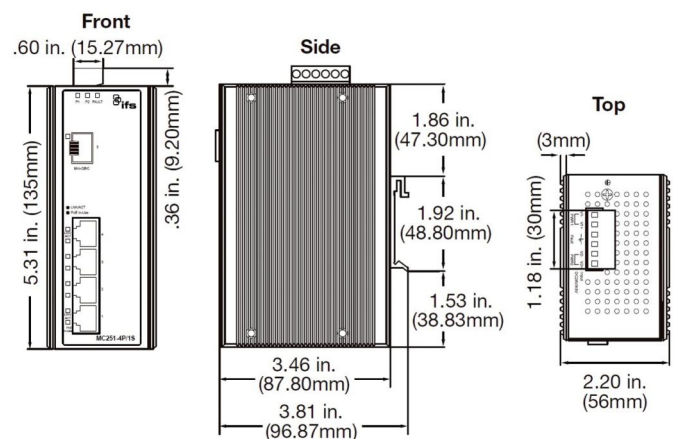
SFP	S20 Series
SFP	S25 Series (wide-temp)

MC251-4P/1S

4-Port 10/100Base-Tx IEEE802.3af Copper + 1-Port SFP Unmanaged Media Converter (4x 15,4W PoE Budget) (-40~75°C) - Power 24-48V DC or 24V AC - Din rail or Wall Mount -

Prodotti compatibili

Categoria	Riferimento	Descrizione
Alimentatori	PS48VDC240W-DIN	100-240V AC Input 48VDC 240W Power Supply with DIN rail mount



In quanto azienda in continua innovazione, Carrier Fire & Security si riserva il diritto di modificare le specifiche del prodotto senza preavviso. Per avere informazioni sempre aggiornate, visita it.firesecurityproducts.com online o contatta il tuo riferimento commerciale.

Last updated on 25 January 2024 - 10:35