

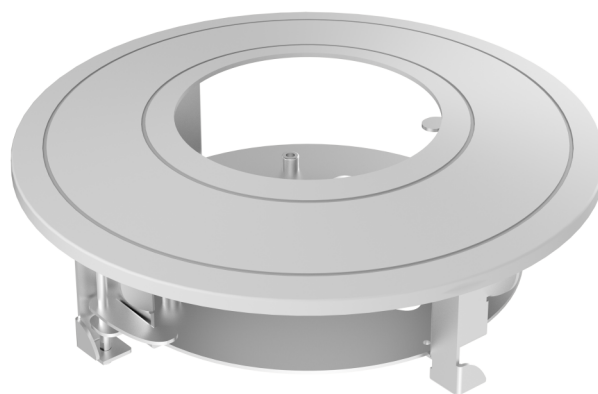


TVD-VFM3

TruVision flush mount for S6 and M Series varifocal dome IP cameras

Overview

The TruVision TVD-VFM3 Flush Mount bracket can be used to install the Series 6 IP cameras TVD-5604H / TVD-5605H / TVD-5606H directly on a ceiling without leaving space between the camera and the surface of the ceiling.



Détails

- Steel and plastic materials with surface spray treatment
- Metal construction with magnetic trim ring
- Should only be used on a flat surface

TVD-VFM3

TruVision flush mount for S6 and M Series varifocal dome IP cameras

Spécifications techniques

Général

Type de montage	Caméra
Type de support	Mini dômes TruVision
Support de fixation	Support de montage
Type de montage	Montage encastré
Gestion des câbles	Oui

Caractéristiques physiques

Dimensions physiques	Ø 225 x 75.9 mm
Poids net	609 g
Couleur	Gris (Pantone 428c)
Matériel	Acier

