



3040-W

Surface mount panic switch, latching red LED indicator and screw terminals, SPDT, white

The Sentrol 3040/3050 series Panic Switch activates the alarm output when the user pulls the actuating lever. On the 3040 model, an external LED lights and latches, indicating that the alarm circuit has been activated. The lever is closed first to rearm the alarm switch, then the latching LED circuit is reset externally at the control panel. The 3045 model has no LED or latching circuit. The 3050 model feature a glowing LED for low light visibility. The LED glows green when powered up, turns red upon activation. The 3050 also contains a latching LED.

Applications

Mounted out of sight but within easy reach for manual activation, such as under desks or counters in banks, jewelry stores and other facilities where people or property are at risk. The 3045 model can be used in residential installations when a panic switch is needed. Models with the LED and latching circuit can be used in commercial and high risk applications.



Détails

- Mounts underneath or on side of desk or counter
- Smooth housing prevents accidental damage to clothing
- Actuating lever designed to accommodate only tip of finger
- Reed contact resets when lever is in closed position
- Version with latching LED available

3040-W

Surface mount panic switch, latching red LED indicator and screw terminals, SPDT, white

Spécifications techniques

Général

Type	Interrupteur
Résistance à l'eau	Non
LED	Oui
Enclenchement de circuit LED	Oui
Contact d'alarme	SPDT
Signal d'alarme	Red LED
Connexions	Screw terminals

Filaire / sans fil

Filaire / sans fil	Câblés
--------------------	--------

Électrique

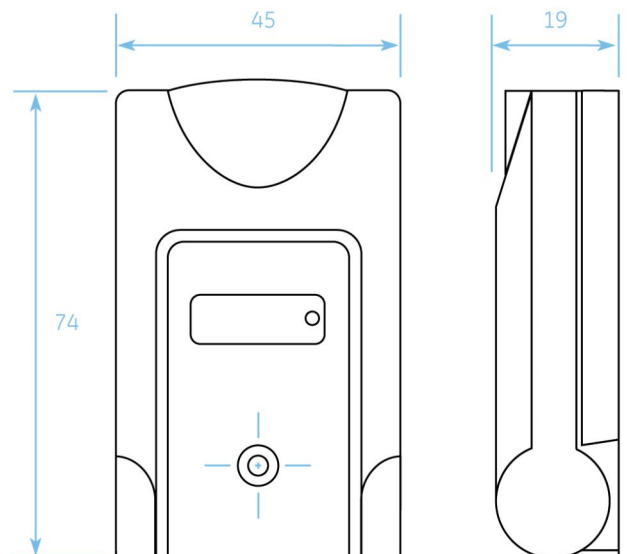
Valeur de l'alimentation	7 to 15 VDC
Consommation de courant	8 mA

Caractéristiques physiques

Dimensions physiques	74 x 45 x 19 mm (L x W x H)
Couleur	Blanc

Environnement

Température de fonctionnement	-18 to +43°C
-------------------------------	--------------



En tant que société d'innovation, Kidde Global Solutions se réserve le droit de modifier les spécifications des produits sans préavis. Pour les dernières spécifications du produit, visitez le site web.fr.firesecurityproducts.com ou contactez votre représentant commercial.

Last updated on 26 March 2024 - 16:17