

TVT-4403

TruVision 5 MPX HD-TVI Turret camera, 2.8 mm fixed lens - NTSC

Overview

TruVision HD-TVI Turret Cameras from Interlogix deliver cost-effective surveillance with 5 MPx resolution HD-TVI technology over existing coaxial cable. Ideal for new or existing projects, HD-TVI bullet cameras are quick and easy to install and can help users stay within budget constraints without compromising security needs.

With the ability to see in low-light conditions, HD-TVI Turret cameras provide color images by day and black-and-white images in night-time applications; in conjunction with IR illumination.

These cameras are specifically designed for use with TruVision HD-TVI DVRs that support 5MPx resolutions. Support for 5 MPx resolution is limited to specific BNC ports, based on the recorder. Refer to the TruVision HD-TVI recorder guidelines for more details. Please note that first generation TruVision HD-TVI DVRs will not support these cameras.



Details

- 5MPx HD-TVI resolution
- Motorized 2.8mm fixed lens
- HD-TVI technology for transmitting high quality video over existing coax cable
- TruVision over-the-coax support for efficient remote access to local camera OSD menu and lens configuration
- Digital Wide Dynamic Range (DWDR)
- Built-in IR-illuminators to cover low light scenes up to 20m, including Smart IR function to optimize IR illumination
- IP67 rating for optimal outdoor use
- Multiple mounting options, including Turret mounting plate
- Cable protection/management

TVT-4403

TruVision 5 MPX HD-TVI Turret camera, 2.8 mm fixed lens - NTSC

Technical specifications

General

Technology	HD-TVI analog
Video standard	NTSC
Image settings	Mirror
Video output	BNC Composite

Camera

Max. resolution	5 MP
Sensor scan	Progressive
Sensor type	CMOS
Total Pixels (H x V)	2592 x 1944
Digital S/N ratio	>62dB
Shutter time	NTSC: 1/30 s to 1/50,000 s; PAL: 1/25 s to 1/50,000 s

Lighting performance

WDR type	Digital WDR
Day/night	True Day/Night
Motorized IR cut filter	Yes
B/W sensitivity	0.01 lux @ f1.2 (AGC On); 0 lux with IR
Infrared (IR)	Yes
IR range	20m

Encoding

Main stream resolutions	1920 x 1080 (1080p), 2592 x 1944
Max. resolution @ fps	2560 (H) x 1944 (V) @ 12.5 fps

Lens

Lens type	Fixed
Focal length	2.8mm
Auto focus	No
Motorized zoom	No

Video intelligence

Smart event	Defect pixel correction, Smart IR
-------------	-----------------------------------

Electrical

Operating voltage	12VDC
Power supply type	12 VDC
Power consumption	3W (Max.)
Current consumption	250mA

Physical

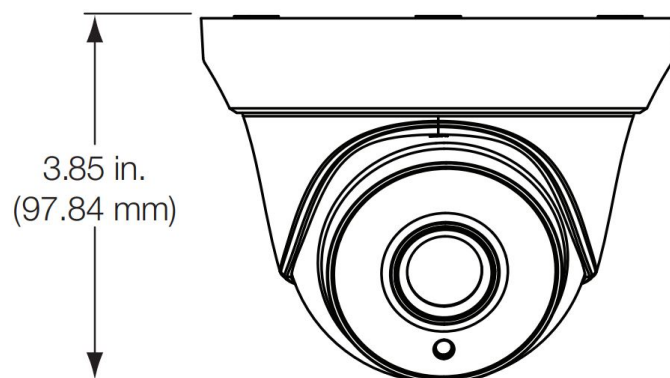
Physical dimensions	5 x 3.85 in. 126.7 x 97.84mm
Net weight	0.77 lbs. 350g
Colour	Grey (Pantone 428c)
Form Factor	Turret

Environmental

Vandal proof	No
Environment	Indoor, Outdoor
Operating temperature	-40° ~ 60° -40°F ~ 140°F
Cold start temperature	-40° ~ 60° -40°F ~ 140°F
Relative humidity	<90% (non-condensing)
IP rating	IP67

Regulatory

Compliance	CE, FCC, REACH, RoHS, UL, WEEE
------------	--------------------------------



As a company of innovation, Carrier Fire & Security reserves the right to change product specifications without notice. For the latest product specifications, visit firesecurityproducts.com online or contact your sales representative.

Last updated on 5 December 2023 - 17:54