

TVM-2413

TruVision 24" LED, VGA, HDMI, audio speaker, stereo audio IN, Full HD, 1920 x 1080

Overview

The LED TVM range of monitors is the latest advancement in TruVision monitors. Providing superior image quality through HDMI or VGA connections, these monitors are a great fit for today's demanding video surveillance market.

Whether displaying analog or IP resolutions, these monitors are designed to provide top image quality paired with industrial reliability.

These monitors are designed to perform 24/7 and are design with security applications in mind.

Capabilities

The TVM-2413 is a 24" class monitor, offering HDMI and VGA connections. The monitor has two built in speakers and is provided with VESA wall mount holes, making them easy to combine with a variety of TruVision mounting accessories. The on screen display allows for full control of images settings such as brightness, contrast and colour temperature.



Details

- 24" LED Backlight
- Full HD resolution
- 16:9 aspect ratio
- 1920 x 1080 recommended resolution
- 1,000:1 contrast ratio for crisp images
- Multiple inputs including VGA, HDMI

TVM-2413

TruVision 24" LED, VGA, HDMI, audio speaker, stereo audio IN, Full HD, 1920 x 1080

Technical specifications

General

| | |
|----------------------|--------------------|
| Technology | LED |
| VESA compatibility | 100 x 100 mm |
| Included accessories | Manual, Power Cord |

Display

| | |
|------------------------|-----------------------------|
| Screen size | 23.6" |
| Aspect ratio | 16:9 |
| Contrast ratio | 1000:1 |
| Viewing angle (H/V) | 178° / 178° |
| Response time | 14 ms |
| Brightness | 250 cd/m ² (typ) |
| Recommended resolution | 1920 x 1080 @ 60 HZ |

Interface

| | |
|---------------|-----|
| BNC video I/O | No |
| VGA video in | Yes |
| HDMI video in | 1 |
| PC stereo in | Yes |
| Audio out | No |

Operations

| | |
|------------------------|--|
| Controls | Power, Up/Down, Left/Right, Source, OSD Menu |
| OSD | English, French, Spanish, German, Italian, Portuguese, Netherlands, Russian, Turkish, Polish |
| Remote control support | No |

Electrical

| | |
|-------------------|----------------|
| Power supply type | 100 to 240 VAC |
| Power consumption | <30 W |

Physical

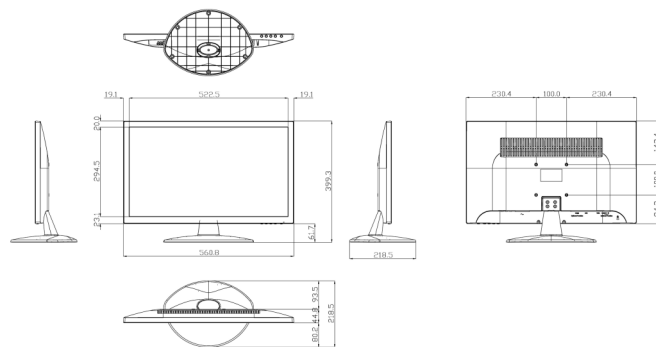
| | |
|---------------------|---|
| Physical dimensions | 540 x 418 x 227 mm (with stand) 614 x 465 x 109 mm (box) |
| Net weight | 3.43 kg |
| Shipping weight | 4.44 kg |
| Colour | Black |
| Housing Type | Plastic |

Environmental

| | |
|-----------------------|------------------------|
| Operating temperature | 0 to 40°C |
| Storage temperature | -20 to 55°C |
| Relative humidity | 5 to 95% noncondensing |
| Environment | Indoor |

Regulatory

| | |
|------------|----------|
| Compliance | CE, UKCA |
|------------|----------|



As a company of innovation, Kidde Global Solutions reserves the right to change product specifications without notice. For the latest product specifications, visit firesecurityproducts.com online or contact your sales representative.

Last updated on 30 July 2024 - 16:43