

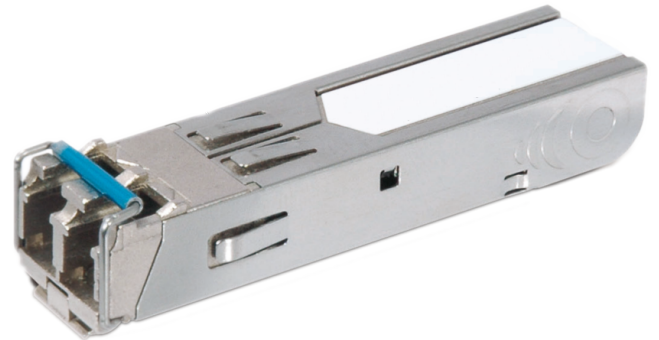


S35-2SLC-30

SFP-Port Gigabit Mini GBIC Transceiver Module (1310nm) - 30Km - SM - Wide-Temp

Overview

The Carrier Fire & Security transceiver module is specifically designed to accommodate high-performance optical fiber, including integrated duplex data link over single mode. Compliant with the SFP Multisource Agreement (MSA), these transceiver modules feature hot-plug capability for easy installation without interrupting host equipment operating online. The SFP GBIC transceiver module can install into Carrier Fire & Security switch products with 100Base-FX or 1000Base-SX/LX SFP interface.



Details

- SFP multi-source agreement compliant
- Data rate 1.25 Gbps
- Class 1 laser safety standard IEC 60825 compliant
- LC duplex receptacle
- Low power dissipation
- Plug-and-play capability for easy installation
- Hot Pluggable
- -40°C to +75°C operation temperature
- TTL signal detect indicator
- Single power supply 3.3V
- Comply with the IEEE 802.3ab

S35-2SLC-30

SFP-Port Gigabit Mini GBIC Transceiver Module (1310nm) - 30Km - SM - Wide-Temp

Technical specifications

General

Category	SFP
Port type	Single Mode
No. of fibers	2
Port speed	Gigabit
Wavelength	1310 nm
Maximum distance	30 km
Number of fibers	2
Fiber type	Single-Mode
Max. distance	30km
TX /RX wavelength	1310nm / 1310nm
Data rate	1.25Gbps
PHY type	1000Base-LHX
Power (dBm)	-2 to +3
RX Sen. (dBm)	-23
Power budget	21
Reliability (MTBF)	>50,000 hrs @ 25° C

Electrical

Operating voltage	3.3 VDC
AS/NZS CISPR 22	2006

Physical

Physical dimensions	59 x 15 x 12.4 mm (W x D x H) 2.20 x 0.59 x 0.49 in. (W x D x H)
Net weight	18 g 0.6 oz

Environmental

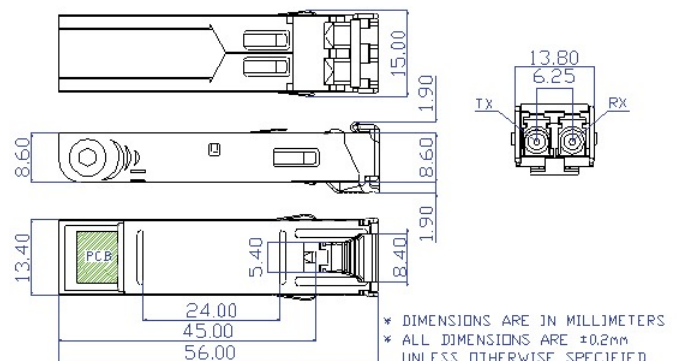
Operating temperature	-40 to +75°C
Storage temperature	-40 to +85°C
Relative humidity	5% to 95% noncondensing

Regulatory

	IEEE 802.3ab Fast Ethernet Standard
	Class 1 laser product complies with EN 60825-1

Transmitter Electro-Optical Interface

EMI	EN 55022 CLASS A:2006+A1 : 2007 / EN61000-3-2:2006 / EN61000-3-3: 1995+A1:2001+A2:2005
Optical output power	Min. : -2dBm, Type : - , Max. : +3dBm
Receiver	-23dBm



As a company of innovation, Kidde Global Solutions reserves the right to change product specifications without notice. For the latest product specifications, visit firesecurityproducts.com online or contact your sales representative.

Last updated on 22 May 2023 - 16:31