



# S30-1SLC/B-10

**SFP-Port Gigabit-Single Fiber GBIC Transc. (TX: 1490nm \ RX: 1310nm) - 10Km - SM**

## Overview

---

The Carrier Fire & Security transceiver module is specifically designed to accommodate high-performance optical fiber, including integrated duplex data link over single mode. Compliant with the SFP Multisource Agreement (MSA), these transceiver modules feature hot-plug capability for easy installation without interrupting host equipment operating online. The SFP transceiver can install into Carrier Fire & Security switch products with 100Base-FX or 1000Base-SX/LX SFP interface.



## Details

---

- SFP multi-source agreement compliant
- Data rate 1.25Gbps
- Class 1 laser safety standard IEC 60825 compliant
- 1(single) Fiber to be deployed together with S30-1SLC/A-10
- LC connector
- Low power dissipation
- Plug-and-play capability for easy installation
- Hot Pluggable
- 0°C to +50°C operation temperature
- TTL signal detect indicator
- Single power supply 3.3V
- Comply with the IEEE 802.3ab

# S30-1SLC/B-10

SFP-Port Gigabit-Single Fiber GBIC Transc. (TX: 1490nm \ RX: 1310nm) - 10Km - SM

## Technical specifications

### General

Category	SFP
Port type	Single Mode
No. of fibers	1
Port speed	Gigabit
Wavelength	1310 nm, 1490 nm
Maximum distance	10 km
Number of fibers	1
Fiber type	Single-Mode
Connector	LC
Max. distance	10km
TX / RX wavelength	1490nm / 1310nm
PHY type	1000BX10-D
Power (dBm)	-9 to -3
RX Sen. (dBm)	-20
Power budget	11
Reliability (MTBF)	>50,000 hrs @ 25° C

### Electrical

Operating voltage	3.3 VDC
AS/NZS CISPR 22	2006

### Physical

Physical dimensions	59 x 15 x 12.4 mm (W x D x H) 2.20 x 0.59 x 0.49 in. (W x D x H)
Net weight	18 g 0.6 oz

### Environmental

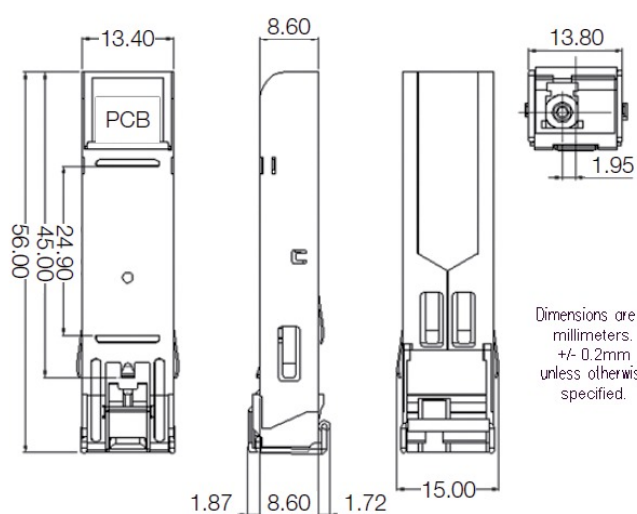
Operating temperature	0 to +50°C
Storage temperature	-40 to +85°C
Relative humidity	5% to 95% noncondensing

### Regulatory

	IEEE 802.3ab Fast Ethernet Standard
	Class 1 laser product complies with EN 60825-1

### Transmitter Electro-Optical Interface

EMI	EN 55022 CLASS A:2006+A1 : 2007 / EN61000-3-2:2006 / EN61000-3-3: 1995+A1:2001+A2:2005
Optical output power	Min. : -9dBm, Type : - , Max. : -3dBm
Power budget	11
Receiver	-20dBm



As a company of innovation, Kidde Global Solutions reserves the right to change product specifications without notice. For the latest product specifications, visit [firesecurityproducts.com](http://firesecurityproducts.com) online or contact your sales representative.

Last updated on 22 May 2023 - 16:28