

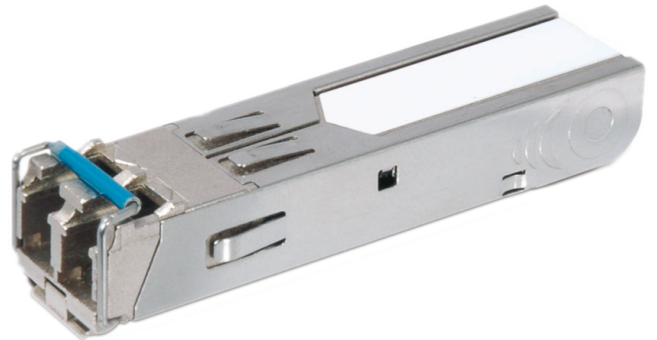
# S20-2MLC-2

## SFP-Port 100Base-FX Mini GBIC Transceiver, 1310 nm, 2 km, Multi-Mode

### Overview

---

The Carrier Fire & Security transceiver module is specifically designed to accommodate high-performance optical fiber, including integrated duplex data link over multi mode. Compliant with the SFP Multisource Agreement (MSA), these transceiver modules feature hot-plug capability for easy installation without interrupting host equipment operating online. The SFP Mini GBIC transceiver can install into Carrier Fire & Security switch products with 100Base-FX or 1000Base-SX/LX SFP interface.



### Details

---

- SFP multi-source agreement compliant
- Data rate 100Mbps
- Class 1 laser safety standard IEC 60825 compliant
- LC duplex receptacle
- Low power dissipation
- Plug-and-play capability for easy installation
- Hot Pluggable
- 0°C to +50°C operation temperature
- TTL signal detect indicator
- Single power supply 3.3V
- Comply with the IEEE 802.3ab

# S20-2MLC-2

## SFP-Port 100Base-FX Mini GBIC Transceiver, 1310 nm, 2 km, Multi-Mode

### Technical specifications

#### General

|                    |                    |
|--------------------|--------------------|
| Category           | SFP                |
| Port type          | Multi Mode         |
| No. of fibers      | 2                  |
| Port speed         | Fast               |
| Wavelength         | 1310 nm            |
| Maximum distance   | 2 km               |
| Connector          | LC                 |
| Max. distance      | 2 km               |
| PHY type           | 100Base-FX         |
| Power (dBm)        | -20 to -14         |
| Reliability (MTBF) | >50,000 hrs @ 25°C |

#### Electrical

|                   |         |
|-------------------|---------|
| Operating voltage | 3.3 VDC |
| AS/NZS CISPR 22   | 2006    |

#### Physical

|                     |   |
|---------------------|---|
| Physical dimensions | 59 x 15 x 12.4 mm (W x D x H)<br>2.20 x 0.59 x 0.49 in. (W x D x H) |
| Net weight          | 18 g<br>0.6 oz  |

#### Environmental

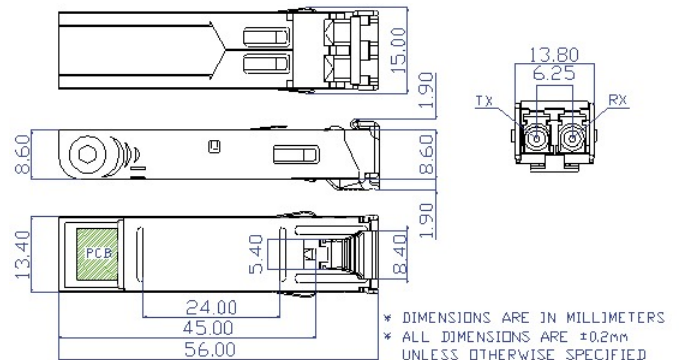
|                       |                        |
|-----------------------|------------------------|
| Operating temperature | 0 to +50°C             |
| Storage temperature   | -40 to 85°C            |
| Relative humidity     | 5 to 95% noncondensing |

#### Regulatory

|  |  |
|--|--|
|  | IEEE 802.3ab Fast Ethernet Standard            |
|  | Class 1 laser product complies with EN 60825-1 |

#### Transmitter Electro-Optical Interface

|                      |  |
|----------------------|--|
| EMI                  | EN 55022 CLASS A:2006+A1 : 2007 /<br>EN61000-3-2:2006 / EN61000-3-3:<br>1995+A1:2001+A2:2005 |
| Optical output power | Min. -20 dBm, Max. -14 dBm   |
| Power budget         | 12   |
| Receiver             | -32 dBm  |



As a company of innovation, Kidde Global Solutions reserves the right to change product specifications without notice. For the latest product specifications, visit [firesecurityproducts.com](http://firesecurityproducts.com) online or contact your sales representative.

Last updated on 18 April 2024 - 16:42