

KFP-AF1-S-10

KILSEN Addressable Fire Panel - 1 Loop small cabinet - Italian

Overview

The KFP-A Series life safety control systems are bringing the speed and functionality of high-end intelligent processing to small to mid-sized addressable applications. They feature an attractive contemporary design that fits with any decor. Special plastics allows for painting in any color and the easy to remove electronics will support in this matter. The gently curved door with the intuitive dark inset user interface and EN54 compliant graphical LCD offers a distinctive flair. The main controls are clearly, but discreetly highlighted with the focus on the central located Jog Dial.

With the addressable detection and a full line of easily configured option cards and modules, USB and Ethernet® connectivity, these quick-to-configure systems offer versatility that benefits building owners and life safety system installers alike.

The Panel

The fire panels supplied in local language, with user interface, with 1 loop that supports up to 250 devices in 512 zones, have standard 2 supervised sounder/fire-routing outputs, which can be used as freely programmable outputs as well. In addition 2 conventional relay outputs and 2 supervised outputs, working in pair and dedicated to common fire and fault conditions, as well as 2 user configurable inputs for monitoring and control are available.

Options

The panels supports one network board to create a maximum of 32 nodes / 32 loops network of fire panels, fire panel repeaters (including conventional fire panels and fire panel repeaters up to a maximum of 64 conventional zones). Last but not least, in case separate zone indications are required, a 24 zone fire/fault LED indicator board can be mounted in the panel or repeater with space for a 4 digit number.

Approvals & Compliance

- CE / CPD / EN54-2 / EN54-4
- NEN2535 / NBNS21-100 compliant
- BS5839-1 compliant
- VdS and LPCB certified
- WEEE / RoHS compliant



Details

- 1 loop with up to 512 zones and 300 output groups
- Up to 24 LED Zone indicators for Fire and Fault with space for a 4 digit number
- Auto configuration and default regional setup modes
- Ethernet port with TCP/IP for remote maintenance and programming
- EN54 compliant graphical LCD with icons and up to 256 zones
- Jog Dial with 4 soft buttons for simple and intuitive user control
- Aesthetic pleasing design with special paintable synthetic door
- Easy removable door and chassis for quick and clean installation
- All pluggable connectors
- 3 USB ports with memory stick support and RS232 for printer support
- Email notification for events directly from the panel (4 user accounts)
- Auxiliary 24VDC supply output with reset support
- 3 operator level menu structure (20 user names and passwords)
- History log memory for 9999 events
- Up to 24 hours standby time and 30 minutes alarm
- Compatible with the KL700A series detectors with replaceable optical chamber and loop powered sounders and base sounders

KFP-AF1-S-10

KILSEN Addressable Fire Panel - 1 Loop small cabinet - Italian

Technical specifications

General

Maximum system capacity (device count)	up to 16000
Network size (nodes)	up to 64

Electrical

Power supply type	VAC
Operating voltage	110 / 230 VAC (+10% / -15%), 50 / 60 Hz ($\pm 5\%$) Cable type: 3 x 1.5 mm ² (live, neutral, earth)
Current consumption	Nom. 0.6 / 1.3 A, Max. 1.5 / 3.15 A 2 / 4 A (fuse rating)

Loop

Maximum loop capacity	1
Cable rating	52 ohm, 500 nF, max. 2 km, Recommended 2 core 1.5 mm ² twisted pair
Outputs	1, 250 mA, 29 VDC (29 to 36 VDC)

Zone

Maximum zone capacity	up to 512
-----------------------	-----------

Input

Input type and rating	150 mA (max. Load), Cable type: Recommended 2 core 1.5 mm ² twisted pair
Programmable	2
Termination	15 kohm

Output

Output type and rating	Cable type: Recommended 2 core 1.5 mm ² twisted pair
Termination	15 kohm
Programmable supervised	2, 750 mA, 19.5 to 28 VDC (24 VDC nominal)
General Fire + Fault supervised	2, 350 mA, 19.5 to 28 VDC (24 VDC nominal)
General Fire + Fault relay	2
Aux	1 resettable, 500 mA, 19.5 to 28 VDC (24 VDC nominal)

Standby battery

Capacity	Max. 2 x 12 V, 7.2 Ah (use supplied cables)
----------	---

Physical

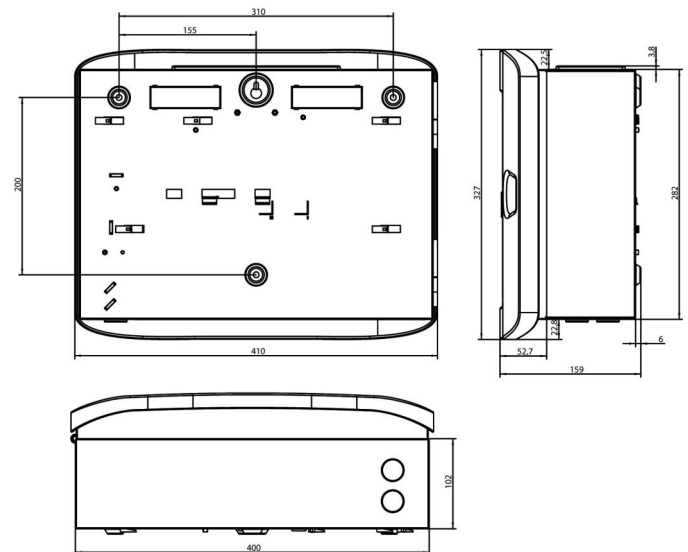
Form factor	Small
Physical dimensions	410 x 298 x 162 mm (W x H x D)
Net weight	5.2 kg (without battery)
Shipping weight	6.6 kg
Colour	Pure white (RAL 9010)
Mounting type	Surface mount
Cable entries	9 (20 mm) / 2 (20 mm) / 2 removable plates (Top /Bottom/Back)

Environmental

Operating temperature	-5 to +40°C
Storage temperature	-10 to +50°C
Relative humidity	95% max. noncondensing
Environment	Indoor
IP rating	IP30: for indoor use only

Regulatory

Compliance	BS5839-1, CPD, LPCB, NBNS21-100, NEN2535, RoHS, WEEE
Certification	EN54-13, EN54-2, EN54-21, EN54-4, VdS



As a company of innovation, Carrier Fire & Security reserves the right to change product specifications without notice. For the latest product specifications, visit firesecurityproducts.com online or contact your sales representative.

Last updated on 24 April 2024 - 14:08