

AD044

Pinpoint, Aritech only, 4I40-ID



Details

- 2/4 wire external interface
- Four inputs to monitor non-addressable devices
- Four outputs
- If needed powered through auxiliary power supply
- Used for any sensor

AD044

Pinpoint, Aritech only, 4I40-ID

Technical specifications

General

Accessory group	Motion sensors
Type	Module
Address range	0 to 255
Unit load for DGP	1

Electrical

Power supply type	VDC
Operating voltage	12 VDC 24 VDC
Current consumption	500 mA
Bus protocol	Interlogix property
Bus voltage	12 VDC or 24 VDC
External power supply	9 to 13.8 VDC
Current consumption from Bus	290 microA

Physical

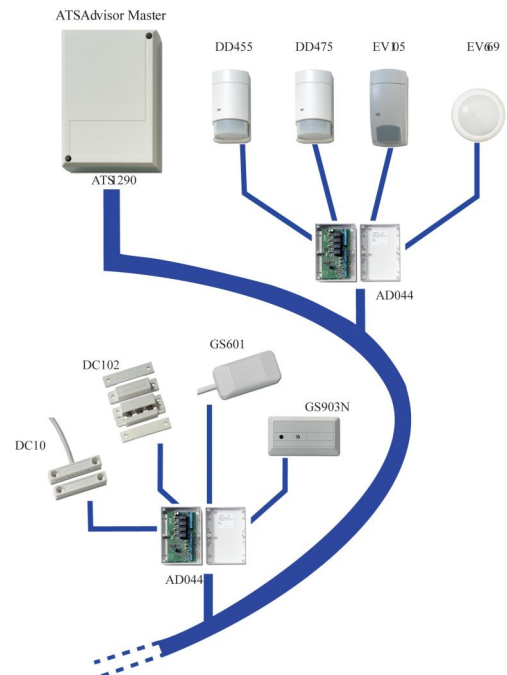
Physical dimensions	173 x 122 x 51 mm
Colour	White

Environmental

Operating temperature	0 to 55°C
Relative humidity	max. 90%
Environment	Indoor

Output

Open collector current output	100 microA max.
Output current	500 mA max. each



As a company of innovation, Carrier Fire & Security reserves the right to change product specifications without notice. For the latest product specifications, visit firesecurityproducts.com online or contact your sales representative.

Last updated on 10 April 2024 - 11:04