

AD044

Pinpoint, Aritech only, 4I40-ID



Details

- 2/4 wire external interface
- Four inputs to monitor non-addressable devices
- Four outputs
- If needed powered through auxiliary power supply
- Used for any sensor

AD044

Pinpoint, Aritech only, 4I40-ID

Technical specifications

General

| | |
|-------------------|----------------|
| Accessory group | Motion sensors |
| Type | Module |
| Address range | 0 to 255 |
| Unit load for DGP | 1 |

Electrical

| | |
|------------------------------|---------------------|
| Power supply type | VDC |
| Operating voltage | 12 VDC 24 VDC |
| Current consumption | 500 mA |
| Bus protocol | Interlogix property |
| Bus voltage | 12 VDC or 24 VDC |
| External power supply | 9 to 13.8 VDC |
| Current consumption from Bus | 290 microA |

Physical

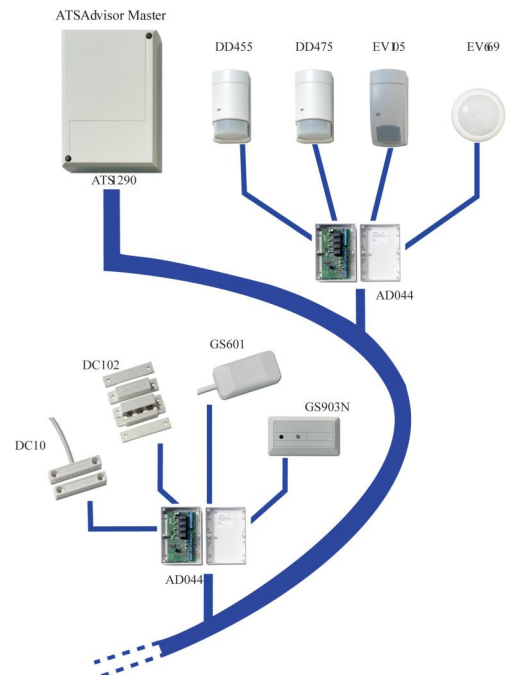
| | |
|---------------------|-------------------|
| Physical dimensions | 173 x 122 x 51 mm |
| Colour | White |

Environmental

| | |
|-----------------------|-----------|
| Operating temperature | 0 to 55°C |
| Relative humidity | max. 90% |
| Environment | Indoor |

Output

| | |
|-------------------------------|------------------|
| Open collector current output | 100 microA max. |
| Output current | 500 mA max. each |



As a company of innovation, Carrier Fire & Security reserves the right to change product specifications without notice. For the latest product specifications, visit firesecurityproducts.com online or contact your sales representative.

Last updated on 10 April 2024 - 11:04