



TVE-DEC12

TruVision Decoder for 16 Full HD streams, 3 outputs (HDMI, VGA, BNC), 12 VDC

Overview

The TruVision Video Decoder TVE-DEC12 is the ideal solution to decode IP video streams and show them on an analog or digital video output. Based on an advanced DSP and stable embedded system design, the TruVision video decoder provides high-resolution decoding functionality for live view from TruVision IP cameras, encoders, DVRs and NVRs.

Strong performance

The TVE-DEC12 can decode streams up to 12MPX. The unit can decode up to a maximum of 16 Full HD streams at the same time in H.264 or H.265 compression. These decoded streams can be shown on one of three monitor outputs using the pre-defined layouts. The decoder can also use the three monitor outputs at the same time and create a small video wall.

Thanks to the flexible tile layout, a stream can be shown over two monitors (HDMI & VGA).

The Scene feature lets the user create pre-defined layouts of streams that can be activated by a single click of a button.

Besides decoding streams from TruVision devices, the decoder can also decode ONVIF and RSTP streams.

Integration with TruVision Navigator software

The TVE-DEC12 has been integrated in the TruVision Navigator software (as of 8.0 SP2). This feature lets the user create scenes containing video streams from cameras that have been added in the TruVision software.

This means that static video layouts can be displayed via the decoder without using PC resources for decoding.

Why TVE-DEC12?

The TVE-DEC12 is a powerful device that can show video streams on up to three monitors without the use of a PC.

The integration in TruVision Navigator helps to lower the PC load for decoding video.

Applications

For showing video streams on confrontation monitors in retail.

In guarding rooms as a video wall (3 monitors) in combination with TruVision Navigator software.

At (remote) guard desks or offices for site monitoring.



Details

- Supports H.264 and H.265 compression
- Powerful decoding capability, up to 12MPX
- Can simultaneously decode up to a maximum of 16 video streams in Full HD
- Multiple video display outputs: You can decode different cameras on the HDMI, VGA and BNC output.
- Compatible with Interlogix TruVision IP cameras, TruVision recorders and TruVision encoders
- Supports decoding for ONVIF and RTSP streams
- Can be used as video wall with a HDMI, VGA and BNC monitor
- Integrated in TruVision Navigator (version 8.1 SP2)

TVE-DEC12

TruVision Decoder for 16 Full HD streams, 3 outputs (HDMI, VGA, BNC), 12 VDC

Technical specifications

General

| | |
|-------------------------|---|
| Technology | Decoder (IP to Analog) |
| Video Decoding Channels | 12 MPX@20fps: 2 channels / 8 MPX@25fps: 4 channels / 5 MPX@25fps: 6 channels / 3 MPX@25fps: 10 channels / 1080P (and lower) @25fps: 16 channels |

Video / audio inputs

| | |
|-----------------------------|---|
| Video standard | NTSC, PAL |
| Video compression | H.264, H.265 |
| Audio compression | AAC, G.711a, G.711u, G.722, G.726, MPEG2-L2 |
| Bi-directional audio inputs | 2-ch, 3.5mm connector (2.0 Vp-p, 1 kΩ) |

Video / audio outputs

| | |
|---------------------|--|
| Video outputs | BNC, HDMI, VGA |
| Multiscreen display | Full screen, 1x2, 2x2, 1+5, 1+7, 3x3, 3x4, 4x4 |
| Audio outputs | 1-channel, RCA |

Interfaces

| | |
|-------------------|---|
| Network interface | 1, RJ45 10 M / 100 M / 1000 M Auto-Negotiate Ethernet Interface |
| Serial interface | RS-232, RS-485 |

Electrical

| | |
|---------------------|--------|
| Power supply type | VDC |
| Power supply value | 12 VDC |
| Power consumption | 15 W |
| Current consumption | 3.33 A |

Physical

| | |
|---------------------|-------------------|
| Physical dimensions | 220 x 148 x 45 mm |
| Net weight | 1120 g |
| Form factor | Desktop |

Environmental

| | |
|-----------------------|-------------------------------|
| Operating temperature | -10 to +55 C° 14 to 131 °F |
| Relative humidity | 10 to 90% noncondensing |

Regulatory

| | |
|------------|--|
| Compliance | C-tick, CE, FCC, REACH, RoHS, UL, WEEE |
|------------|--|

Video / audio inputs

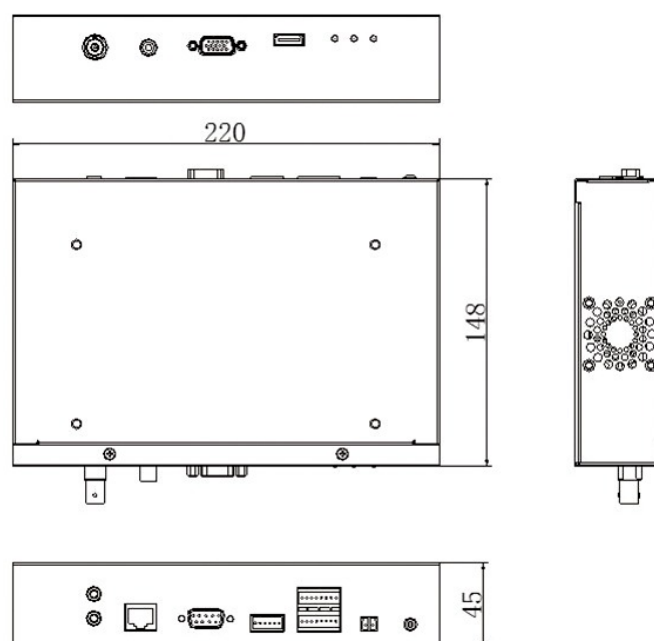
| | |
|--------------------|---------|
| Incoming bandwidth | 64 Mbps |
|--------------------|---------|

Video / audio outputs

| | |
|------|--|
| HDMI | 1 channel / 4K: 3840x2160@30Hz 1080P: 1920x1080@50/60Hz WSXGA:1680x1050@60Hz UXGA:1600x1200@60Hz 720P:1280x720@50Hz/60Hz SXGA:1280x1024@60Hz XGA:1024x768@60Hz |
| VGA | 1 channel / 1080P: 1920x1080@50/60Hz WSXGA:1680x1050@60Hz SXGA:1280x1024@60Hz XGA:1024x768@60H |
| BNC | 1 channel / 960H |

Supported products

| | |
|---------|------------------|
| Devices | See User Manual. |
|---------|------------------|



As a company of innovation, Kidde Global Solutions reserves the right to change product specifications without notice. For the latest product specifications, visit za.firesecurityproducts.com online or contact your sales representative.

Last updated on 19 August 2024 - 16:23