



S30-2MLC-2

SFP-Port Gigabit Mini GBIC Transceiver Module (1310nm) - 2km - MM

Overview

The Carrier Fire & Security transceiver module is specifically designed to accommodate high-performance optical fiber. Compliant with the SFP Multisource Agreement (MSA), these transceiver modules feature hot-plug capability for easy installation without interrupting host equipment operating online. The SFP Mini GBIC transceiver can install into Carrier Fire & Security switch products with 100Base-FX or 1000Base-SX/LX SFP interface.



Details

- SFP multi-source agreement compliant
- Data rate 1.25Gbps
- Requires 50 / 125 (OM3) fiber to achieve 2km distance
- Data rate of 1Gbps
- Class 1 laser safety standard IEC 60825 compliant
- LC duplex receptacle
- Low power dissipation
- Plug-and-play capability for easy installation
- Hot Pluggable
- 0°C to +50°C operation temperature
- TTL signal detect indicator
- Single power supply 3.3V
- Comply with the IEEE 802.3ab

S30-2MLC-2

SFP-Port Gigabit Mini GBIC Transceiver Module (1310nm) - 2km - MM

Technical specifications

General

Category	SFP
Port type	Multi Mode
No. of fibers	2
Port speed	Gigabit
Wavelength	1310 nm
Maximum distance	2 km
Connector	LC
Data rate	1.25 Gbps
PHY type	1000Base-SX2
Reliability (MTBF)	>50,000 hrs @ 25°C

Electrical

Operating voltage	3.3 VDC
AS/NZS CISPR 22	2006

Physical

Physical dimensions	59 x 15 x 12.4 mm (W x D x H) 2.20 x 0.59 x 0.49 in. (W x D x H)
Net weight	18 g (0.6 oz)

Environmental

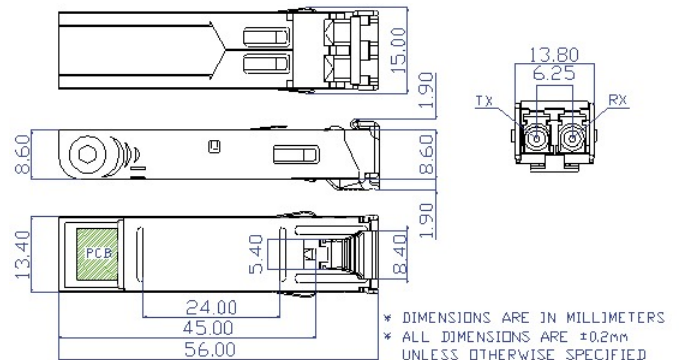
Operating temperature	0 to +50°C
Storage temperature	-40 to 85°C
Relative humidity	5 to 95% noncondensing

Regulatory

	IEEE 802.3ab Fast Ethernet Standard
	Class 1 laser product complies with EN 60825-1

Transmitter electro-optical interface

EMI	EN 55022 CLASS A:2006+A1 : 2007 / EN61000-3-2:2006 / EN61000-3-3: 1995+A1:2001+A2:2005
Optical output power	Min. : -9 dBm, Type : - , Max. : -1 dBm
Power budget	10
Receiver	-19 dBm



As a company of innovation, Kidde Global Solutions reserves the right to change product specifications without notice. For the latest product specifications, visit za.firesecurityproducts.com online or contact your sales representative.

Last updated on 28 March 2024 - 17:13