



TVM-2702

TRUVISION 27" LED, VGA, HDMI, BNC, Audio Speaker, Stereo Audio In, FULL HD, 1920X1080

Overview

The LED TVM range of monitors is the latest advancement in TruVision monitors. Providing superior image quality through HDMI, VGA and BNC connections, these monitors are a great fit for today's demanding video surveillance market.

Whether displaying analog or IP resolutions, these monitors are designed to provide top image quality paired with industrial reliability.

These monitors are designed to perform 24/7 and are design with security applications in mind.

Capabilities

The TVM-2702 is a 427" class monitor, offering HDMI, VGA and BNC connections. The monitor has two built in speakers and is provided with VESA wall mount holes, making them easy to combine with a variety of TruVision mounting accessories. The on screen display allows for full control of images settings such as brightness, contrast and colour temperature.



Details

- 27" LED Backlight
- Full HD resolution
- 16:9 aspect ratio
- 1920 x 1080 recommended resolution
- 1,000:1 contrast ratio for crisp images
- 3D comb filter for optimal image quality
- Multiple inputs including BNC, VGA, HDMI
- BNC analog input

TVM-2702

TRUVISION 27" LED, VGA, HDMI, BNC, Audio Speaker, Stereo Audio In, FULL HD, 1920X1080

Technical specifications

General

Technology	LED
VESA compatibility	100 x 100 mm
Filter type	3D Combfilter, Deinterlace
Included accessories	Manual, Power Adapter, Power Cord, Remote Control
Panel lamp life	30,000 hours

Display

Screen size	27"
Aspect ratio	16:9
Contrast ratio	1000:1
Viewing angle (H/V)	170° / 160°
Response time	8ms
Brightness	300 cd/m ² (typ)
Compatible video standards	NTSC/PAL Auto Detect
Recommended resolution	1920 x 1080 @ 60 HZ

Audio

Speaker power	2W x 2
Speakers	Built-in

Interface

BNC video I/O	1/1
VGA video in	Yes
HDMI video in	1
RCA audio in	1
PC stereo in	Yes
Audio out	No

Operations

Controls	Power, Up/Down, Left/Right, Source, OSD Menu
OSD	English, French, Spanish, German, Italian, Portuguese, Netherlands, Russian, Turkish, Polish
Remote control support	Yes

Electrical

Power supply type	100 to 240 VAC
Power consumption	<40W

Physical

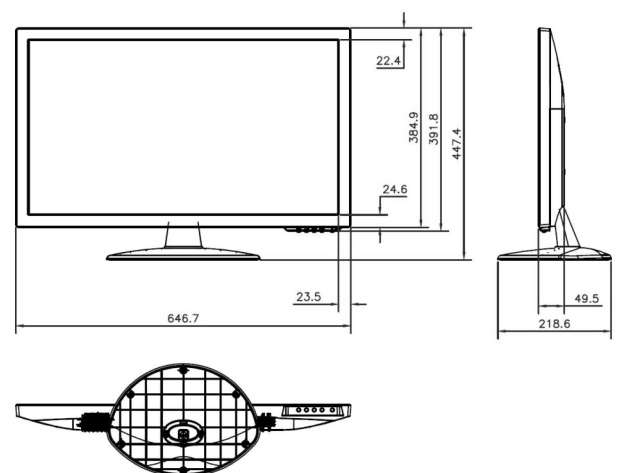
Physical dimensions	647mm x 447 mm x 249mm
Net weight	4 kg
Shipping weight	6.5 kg
Colour	Black
Housing type	Plastic

Environmental

Operating temperature	0 to 40°C
Storage temperature	-20 to 60°C
Relative humidity	10 to 85%
Environment	Indoor

Regulatory

Compliance	CE
------------	----



As a company of innovation, Kidde Global Solutions reserves the right to change product specifications without notice. For the latest product specifications, visit uk.firesecurityproducts.com online or contact your sales representative.

Last updated on 5 May 2023 - 9:54