



TVE-DEC11

TruVision IP MPX Decoder, 8 *720P on one Output, BNC, VGA, HDMI, Audio, Alarm, 12VDC

Overview

The TruVision High Definition IP Video Decoder is the ideal solution to convert compressed IP video streams to analog video output for optimal video surveillance. Based on an advanced DSP and stable-embedded system design, the TruVision High Definition Video Decoder provides high-resolution decoding functionality for both live-view and playback streams from TruVision IP cameras, DVRs and NVRs.

This unit can decode two 5 MPX, four 1080p, eight 720p or sixteen 960H resolution images while transmitting over multiple output interfaces. The decoder can decode the multiple streams from a TruVision 360° degree camera. Up to 64 discrete IP streams can be displayed using the decoder's sequencing function.

Remote Video Display

The TruVision High Definition IP Video Decoder can also be used to display video at remote locations by connecting it to IP streams and decoding it through one of the unit video outputs with no PC required.



Details

- Multi-channel decoder
- Choice between three video outputs (HDMI, VGA, BNC)
- TruVision IP cameras (up to 5MPX)
- Full HD output
- Single camera view
- Sequence up to 64 cameras
- Up to 16 split view at 960H
- Real-time decoding
- Connects to TruVision NVRs & IP cameras

TVE-DEC11

Truvision IP MPX Decoder, 8 *720P on one Output, BNC, VGA, HDMI, Audio, Alarm, 12VDC

Technical specifications

General

Technology	Decoder (IP to Analog)
------------	------------------------

Video / audio inputs

Video standard	NTSC, PAL
Video compression	H.264, MPEG-4
Audio compression	AAC, G.711a, G.711u, G.722, MPEG2-L2
Bi-directional audio inputs	2-ch, 3.5mm connector (2.0 Vp-p, 1 kΩ)

Video / audio outputs

Video outputs	BNC, HDMI, VGA
Video output resolution	CVBS (BNC): 960H, HDMI: 1920x1080@50/60Hz / 1600x1200@60Hz / 1280x1024@60Hz / 1280x720@50/60Hz / 1024x768@60Hz, VGA: 1920x1080@50/60Hz / 1600x1200@60Hz / 1280x1024@60Hz / 1280x720@50/60Hz / 1024x768@60Hz
Multiscreen display	1 / 2 / 4 / 9 / 16 split view
Video bit rate	5000 kbps Max.
Audio outputs	1-channel, RCA

Interfaces

Network interface	1, RJ45 10 M / 100 M Auto-Negotiate Ethernet Interface
Alarm inputs	4
Alarm out	4

Electrical

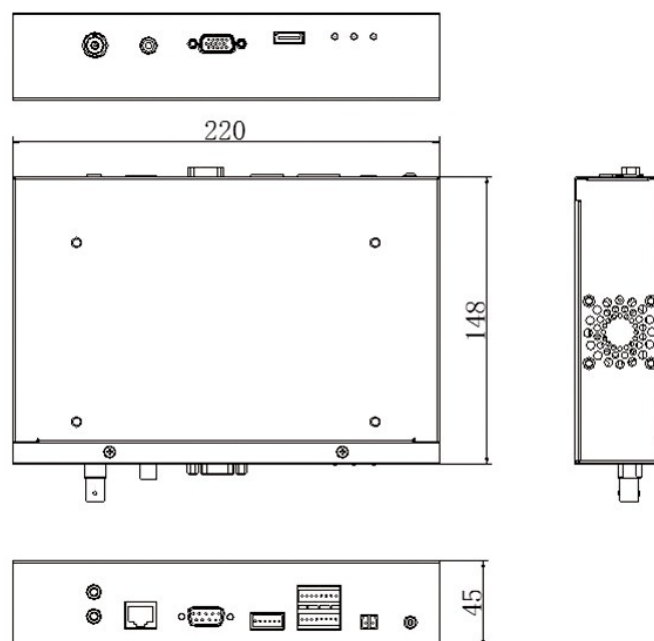
Power supply type	VDC
Power supply value	12VDC
Current consumption	1250

Physical

Physical dimensions	220 x 148 x 45mm
Net weight	1120 g
Form factor	Desktop

Environmental

Operating temperature	-10 to +55 C° 14 to 131 °F
Relative humidity	10 to 90% noncondensing



As a company of innovation, Kidde Global Solutions reserves the right to change product specifications without notice. For the latest product specifications, visit uk.firesecurityproducts.com online or contact your sales representative.

Last updated on 5 May 2023 - 9:34