

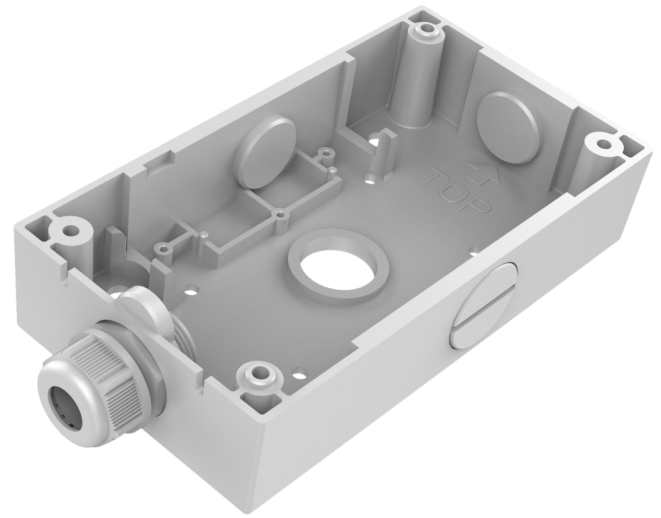


TVD-SNB-BB

TruVision TVD-SNB back box, 4-directional conduit, indoor & outdoor

Overview

TVD-SNB-BB TruVision Back Box can be used together with either TruVision TVD-SNB or TVD-M2-WM wall-mount bracket.



Details

- Suitable for the TruVision wall brackets
- TruVision back box
- Aluminum alloy

TVD-SNB-BB

TruVision TVD-SNB back box, 4-directional conduit, indoor & outdoor

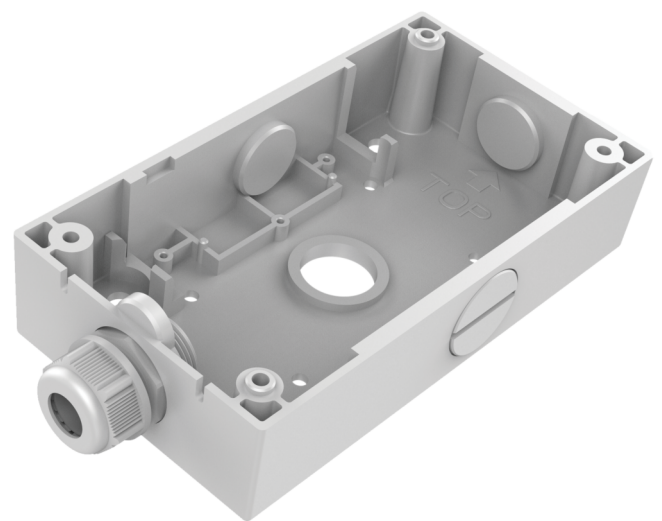
Technical specifications

General

Bracket type	Camera
Support type	TruVision mini domes
Bracket mounting part	Mount connection box
Mount type	Surface mount

Physical

Physical dimensions	182 x 99.5 x 42 mm
Net weight	485 g
Colour	Grey (Pantone 428c)
Material	Aluminium



As a company of innovation, Kidde Global Solutions reserves the right to change product specifications without notice. For the latest product specifications, visit uk.firesecurityproducts.com online or contact your sales representative.

Last updated on 2 September 2024 - 10:21