



TVP-WBS

TruVision Stainless Steel Wall Mount Bracket for use with TVP-5201

Overview

This Stainless Steel Wall Mount Bracket allows for wall mounting of the TruVision Stainless Steel PTZ Cameras. It is suitable for both indoor and outdoor use.

Used for the following cameras:

TVP-5201



Details

- For use with TVP-5201
- For wall mount installations
- Allows for cable management
- Stainless Steel

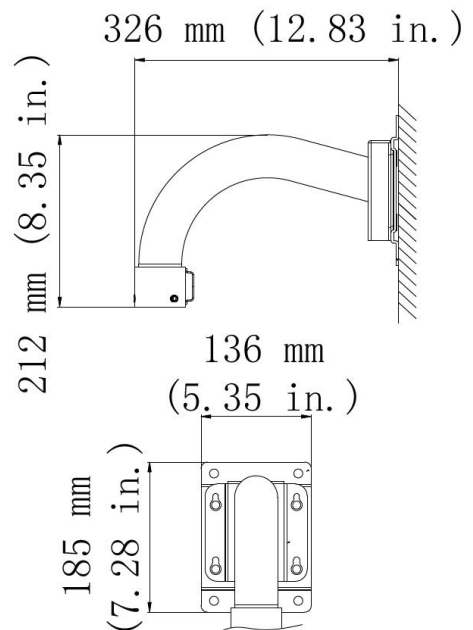
TVP-WBS

TruVision Stainless Steel Wall Mount Bracket for use with TVP-5201

Technical specifications

General

Bracket type	Camera
Support type	PTZ camera
Bracket mounting part	Mounting bracket
Mount type	Wall mount



As a company of innovation, Carrier Fire & Security reserves the right to change product specifications without notice. For the latest product specifications, visit firesecurityproducts.com online or contact your sales representative.

Last updated on 5 December 2023 - 17:54