

# TVM-2402

**TRUVISION 24" LED, VGA, HDMI, BNC, Audio Speaker, Stereo Audio In, FULL HD, 1920X1080**

## Overview

---

The LED TVM range of monitors is the latest advancement in TruVision monitors. Providing superior image quality through HDMI, VGA and BNC connections, these monitors are a great fit for today's demanding video surveillance market.

Whether displaying analog or IP resolutions, these monitors are designed to provide top image quality paired with industrial reliability.

These monitors are designed to perform 24/7 and are design with security applications in mind.

## Capabilities

---

The TVM-2402 is a 24" class monitor, offering HDMI, VGA and BNC connections. The monitor has two built in speakers and is provided with VESA wall mount holes, making them easy to combine with a variety of TruVision mounting accessories. The on screen display allows for full control of images settings such as brightness, contrast and colour temperature.



## Details

---

- 24" LED Backlight
- Full HD resolution
- 16:9 aspect ratio
- 1920 x 1080 recommended resolution
- 1,000:1 contrast ratio for crisp images
- 3D comb filter for optimal image quality
- Multiple inputs including BNC, VGA, HDMI
- BNC analog input

# TVM-2402

TRUVISION 24" LED, VGA, HDMI, BNC, Audio Speaker, Stereo Audio In, FULL HD, 1920X1080

## Technical specifications

### General

Technology	LED
VESA compatibility	100 x 100 mm
Filter type	3D Combfilter, Deinterlace
Included accessories	Manual, Power Cord, Remote Control
Panel lamp life	30,000 hours

### Display

Screen size	23.6"
Aspect ratio	16:9
Contrast ratio	1000:1
Viewing angle (H/V)	170° / 160°
Response time	5ms
Brightness	250 cd/m <sup>2</sup> (typ)
Compatible video standards	NTSC/PAL Auto Detect
Recommended resolution	1920 x 1080 @ 60 HZ

### Audio

Speaker power	2W x 2
Speakers	Built-in

### Interface

BNC video I/O	1/1
VGA video in	Yes
HDMI video in	1
RCA audio in	1
PC stereo in	Yes
Audio out	No

### Operations

Controls	Power, Up/Down, Left/Right, Source, OSD Menu
OSD	English, French, Spanish, German, Italian, Portuguese, Netherlands, Russian, Turkish, Polish
Remote control support	No

### Electrical

Power supply type	100 to 240 VAC
Power supply value	100 to 240 VAC
Power consumption	<30W

### Physical

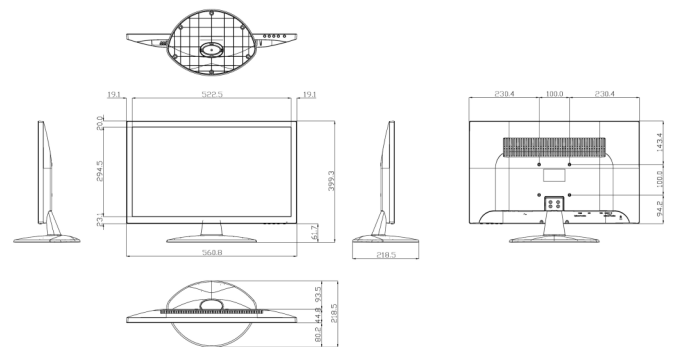
Physical dimensions	561mm x 399mm x 218mm
Net weight	4.5 kg
Shipping weight	5.2 kg
Colour	Black
Housing type	Plastic

### Environmental

Operating temperature	0 to 40°C
Storage temperature	-20 to 60°C
Relative humidity	10 to 85%
Environment	Indoor

### Regulatory

Compliance	CE
------------	----



As a company of innovation, Carrier Fire & Security reserves the right to change product specifications without notice. For the latest product specifications, visit [firesecurityproducts.com](http://firesecurityproducts.com) online or contact your sales representative.

Last updated on 7 August 2023 - 11:35