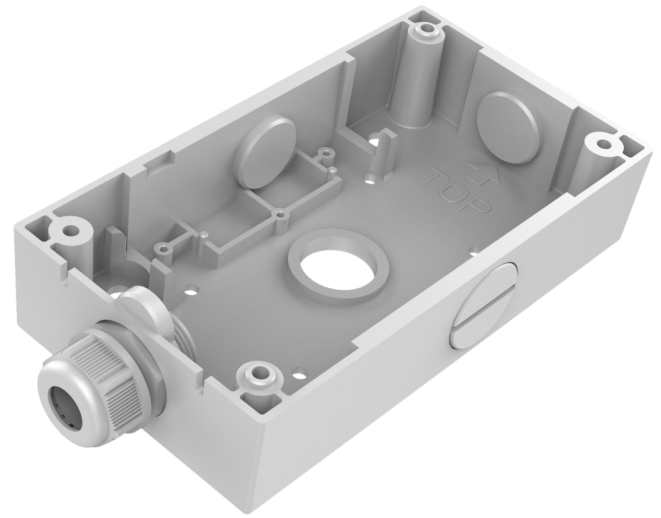


TVD-SNB-BB

TruVision TVD-SNB back box, 4-directional conduit, indoor & outdoor

Overview

TVD-SNB-BB TruVision Back Box can be used together with either TruVision TVD-SNB or TVD-M2-WM wall-mount bracket.



Details

- Suitable for the TruVision wall brackets
- TruVision back box
- Aluminum alloy

TVD-SNB-BB

TruVision TVD-SNB back box, 4-directional conduit, indoor & outdoor

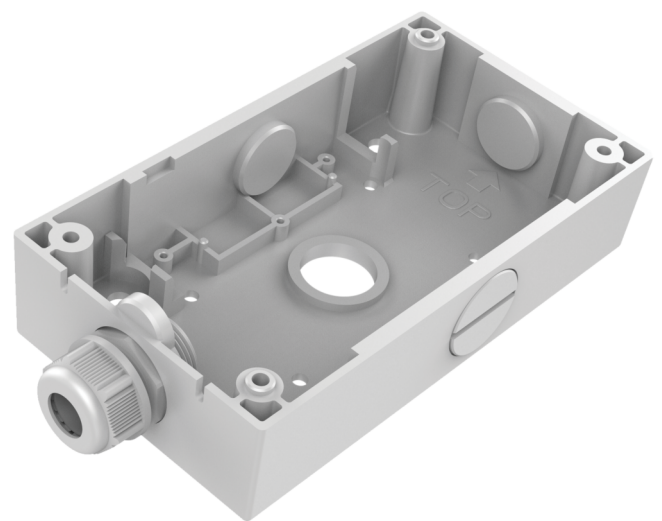
Technical specifications

General

Bracket type	Camera
Support type	TruVision mini domes
Bracket mounting part	Mount connection box
Mount type	Surface mount

Physical

Colour	Grey (Pantone 428c)
Material	Aluminium



As a company of innovation, Carrier Fire & Security reserves the right to change product specifications without notice. For the latest product specifications, visit firesecurityproducts.com online or contact your sales representative.

Last updated on 5 December 2023 - 17:54