

TVD-CB6

TruVision cup base (135 mm/5 in.) for S6 motorized turret cameras. Use with TVD-SNB, TVD-PPB, TVD-CBW.

Overview

The TVD-CB6 cup base can be used on brackets TVD-SNB, TVD-PPB and TVD-CBW



Details

- Compatible with camera brackets TVD-SNB, TVD-PPB, TVD-CBW
- For use with S6 motorized turret cameras TVT-5608, TVT-5609, TVT-5610, TVT-5611

TVD-CB6

TruVision cup base (135 mm/5 in.) for S6 motorized turret cameras. Use with TVD-SNB, TVD-PPB, TVD-CBW.

Technical specifications

Generale

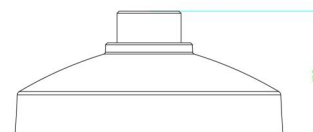
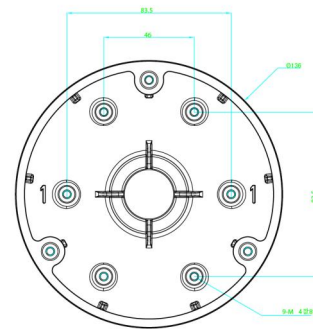
Bracket type	Camera
Support type	TruVision mini domes
Bracket mounting part	Cup base
Mount type	Wall mount

Fisico

Physical dimensions	Ø 136 mm
Net weight	Ø 5.35 in.
Colour	Grey (Pantone 428c)
Material	Aluminium

Ambientale

Environment	Indoor, Outdoor
-------------	-----------------



As a company of innovation, Carrier Fire & Security reserves the right to change product specifications without notice. For the latest product specifications, visit firesecurityproducts.com online or contact your sales representative.

Last updated on 5 December 2023 - 17:54