

TVB-5501

TruVision IP Bullet Camera, H.265/H.264, 3MPX

Overview

The TruVision Series 5 line of IP bullet form factor cameras leverages the latest H.265 video compression technology to bring state-of-the-art, high-definition pictures to the mass video surveillance market. With camera resolutions of 3 or 8 megapixel, these IP cameras represent a flexible video surveillance device to meet any need. Equipped with advanced technology and signal processing capability, they effectively capture video under challenging conditions.

TruVision cameras utilize H.264 and/or H.265 compression technology with triple-streaming capability, making it easy to manage the camera's bandwidth usage. Motorized varifocal lens technology allows the user to remotely adjust the varifocal lens length and focus the camera with the touch of a button. Select models feature Low Light technology, which provides a clear image in low lighting conditions with a minimum of "grainy" interference. Recording to a local MicroSD card (not included) protects data in the event of network disruptions.

These cameras go above and beyond standard motion detection with enhanced alarm capabilities, including cross lines, intrusion, de-focus and face detection features. Each is user-configurable to best suit the installation environment. A Region of Interest function ensures specific portions of an image are given priority during instances of high network traffic or network degradation.

Location-specific functions include a Hallway View Mode to provide a portrait view of a hallway or corridor, a De-Fog Mode to help resolve images through fog or rain and Electronic Image Stabilization for installations subject to physical vibration or shaking.



Details

- Maximum Resolution: 2048 x 1536
- Maximum Real Time Resolution: 2048 x 1536 @ 25/30 fps (50/60 Hz)
- Designed to PSIA and ONVIF Profile G and S open standards
- H.265 and/or H.264 compression with triple-streaming functionality
- Edge recording up to 128GB SDHC card
- 1/2.8 CMOS image sensor
- Motorised IR Cut Filter
- Super Low Light: Color: 0.005 Lux @ (f1.2, AGC ON), 0 Lux IR on
- Fixed Lens 4mm
- Up to 30m IR illumination
- Up to 120dB Wide Dynamic Range
- Intelligence (Face detection, Audio Exception Detection, Intrusion Detection, De-focus Detection, Region of Interest (ROI), Electronic Image Stabilization (EIS), Defog, Scene Change Detection, Cross Line Detection, Advanced Motion Detection, Region Entrance Detection, Region Exit Detection, Object Removal, Object Left Behind, Object Counting)

TVB-5501

TruVision IP Bullet Camera, H.265/H.264, 3MPX

Technical specifications

General

Technology	IP
Video standard	NTSC, PAL
Image settings	Hallway View, Mirror, ROI (Region Of Interest)
Software compatibility	OnGuard, Prism, TruVision Navigator, TVRmobile, Web Browser

Camera

Sensor size	1/2.8"
Max. resolution	3 MP
Sensor scan	Progressive
Sensor type	CMOS

Lighting performance

WDR type	True WDR
Day / night	True Day/Night
Motorized IR cut filter	Yes
Infrared (IR)	Yes

Encoding

Main stream compression	H.264, H.265
Sub stream compression	H.264, H.265, MJPEG
Main stream resolutions	1280 x 720 (XVGA), 1920 x 1080 (1080p), 2048 x 1536 (QXGA), 704 x 576 (4CIF)
Sub stream resolutions	320 x 240 (QVGA), 640 x 360 (nHD), 640 x 480 (VGA), 704 x 576 (4CIF)

Lens

Lens type	Fixed
Auto iris	No

Network

Integration	CGI, ISAPI, ONVIF Profile G, ONVIF Profile S, ONVIF Profile T, PSIA
Supported network protocols	802.1x, Bonjour, DDNS, DHCP, DNS, ezDDNS, FTP, HTTP, HTTPS, IGMP, IPv4, IPv6, NTP, PPPoE, QoS, RTCP, RTP, RTSP, SMTP, TCP/IP, UDP, UPnP

Storage

Local storage support	Yes
Max. SD card capacity	256 GB

Video intelligence

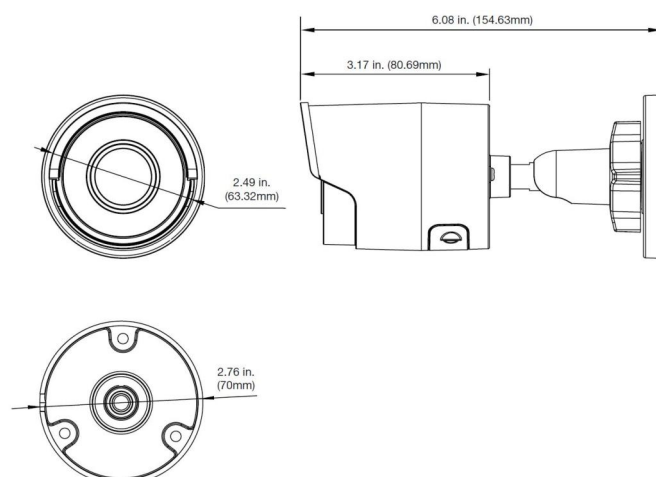
Smart event	Advanced motion detection, Face detection, Intrusion detection, Line crossing detection, Object removal detection, Scene change detection, Unattended baggage detection
-------------	---

Physical

Physical dimensions	70 x 155 mm
Net weight	410 g
Colour	Grey
Form Factor	Bullet

Environmental

IP rating	67
-----------	----



As a company of innovation, Carrier Fire & Security reserves the right to change product specifications without notice. For the latest product specifications, visit firesecurityproducts.com online or contact your sales representative.

Last updated on 5 December 2023 - 17:54