

DC108

Surface - overhead - floor mount contact

Overhead Door Magnetic Contact

The DC108 series overhead door magnetic contact is for use in the rigorous environments of commercial and industrial installations. The floor mount units are constructed with a low profile heavy cast aluminium housing. The reed switch assembly is fully encased in an exclusive polyurethane potting material to prevent damage due to moisture or humidity.

Easy Installation

A wide operating gap distance of up to 7.5 cm makes installation easy and helps prevent false alarms caused by door movement or damaged and loose fitting doors.



Details

- Miniature, low-profile design
- Stainless steel armoured cable for added security, reliability
- Wide working gap for overhead doors
- Small size less likely to be damaged by forklifts
- Tamper loop provided

DC108

Surface - overhead - floor mount contact

Technical specifications

General

Application type	Overhead
Contact type	NC
Connectivity	4 wires, 2 m

Wired / wireless

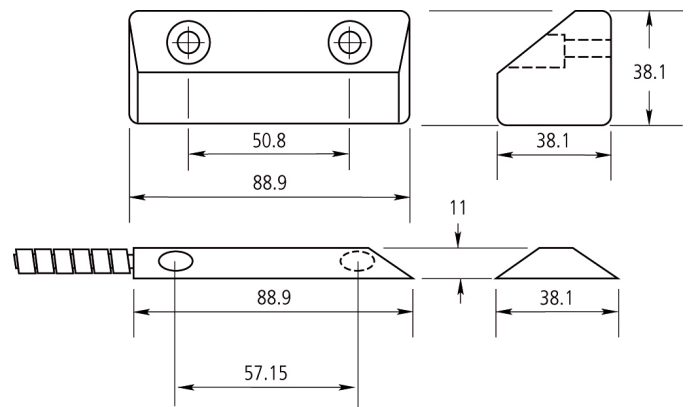
Wired / wireless	Wired
Operating gap	75 mm

Physical

Dimensions magnet	89 x 38 x 38 mm
Dimensions contact / sensor	89 x 38 x 38 mm
Colour	Metallic silver
Material	Aluminium

Regulatory

EN50131 Grade	Grade 2
Certification	IMQ, ULC
Standards	ULC



As a company of innovation, Carrier Fire & Security reserves the right to change product specifications without notice. For the latest product specifications, visit firesecurityproducts.com online or contact your sales representative.

Last updated on 2 February 2024 - 10:54