

# TVP-5104

**TruVision 2 MPX IP PTZ camera, Outdoor, Pendant/Wall Mount, Super Low Light, True D/N, WDR, H.265, ONVIF/PSIA, 25X Optical zoom, SDHC Card slot, Hi-PoE/24VAC**

## Overview

---

The TruVision TVP-5104 PTZ provides a robust and reliable solution to various installation conditions. Its super low light performance provides high quality color images in challenging conditions. The camera's 2 megapixel resolution combined with excellent low light capabilities ensures you capture the required level of detail at all times.

The camera is fully programmable, with up to 300 presets along with 8 patrol tours (32 presets per tour).

A 24-zone privacy mask feature allows these cameras to block out sensitive areas. In addition, the variety of intelligence features adds substantial value and enhanced performance to any video system.

## Technology

---

The camera features H.265 compression to optimise its bandwidth and storage requirements. At the same time, H.264 support ensures the camera can easily be connected to legacy installations where needed. ONVIF, PSIA and CGI command sets ensure that this camera can also be easily connected to virtually any video surveillance system.

## Installation

---

The PTZ provides compatibility with previous Carrier mounting brackets as well as recording systems to ensure backward compatibility for easy service and installation.



## Details

---

- 2 MPX resolution for optimal details
- H.265 compression
- 25x optical zoom
- Super low light performance
- IK10 & IP67 rating for rugged indoor and outdoor use
- Intelligent video analytics
- Wall mount accessories available
- Compatible with optional mounting brackets: TVP-WMB wall mount, TVP-WM-CM corner mount, TVP-WM-PM pole mount

# TVP-5104

TruVision 2 MPX IP PTZ camera, Outdoor, Pendant/Wall Mount, Super Low Light, True D/N, WDR, H.265, ONVIF/PSIA, 25X Optical zoom, SDHC Card slot, Hi-PoE/24VAC

## Technical specifications

### General

Video standard	NTSC, PAL
OSD	Text Overlay
Privacy masking	24 privacy masks programmable; optional multiple colors and mosaics
Video output	BNC Composite PAL / NTSC

### Camera

Sensor size	1/1.9"
Max. resolution	2 MP
Sensor scan	Progressive
Sensor type	CMOS
Effective pixels (H x V)	1920 x 1080
Digital S/N ratio	>52 dB
Shutter time	50Hz: 1 to 1/30,000s; 60Hz: 1 to 1/30,000s

### Lighting performance

WDR	120 dB
Digital noise reduction	3DNR
Day / night	True Day/Night
Motorized IR cut filter	Yes
Color sensitivity	0.002 lux @ f1.5, AGC on
B/W sensitivity	0.0002 lux
Infrared (IR)	No

### Encoding

Video streams	3
Main stream compression	H.264, H.265
Sub stream compression	H.264, H.265, MJPEG
Main stream resolutions	1280 x 720 (XVGA), 1280 x 960 (720p), 1920 x 1080 (1080p)
Sub stream resolutions	352 x 288 (CIF), 640 x 480 (VGA), 704 x 576 (4CIF)
Max. resolution @ fps	1080p @ 25 fps

### Lens

Lens type	Varifocal motorized
Focal length	5.7 to 142.5 mm
f-stop	f1.5 to f3.4
Auto focus	Yes
Motorized zoom	Yes

### Pan/ tilt / zoom

Pan	360° endless
Tilt	Tilt: -15°~90°(Auto-Flip)
Auto flip	Yes
Optical zoom	25x
Digital zoom	16x
Preset positions	300
Preset tours	8 with up to 32 presets per tour
Shadow tours	4 with max. 10 minutes per tour

### Network

Integration	CGI, ISAPI, ONVIF Profile G, ONVIF Profile S, PSIA
Supported network protocols	802.1x, DDNS, DHCP, DNS, ezDDNS, FTP, HTTP, HTTPS, ICMP, IGMP, IPv4, IPv6, NTP, PPPoE, QoS, RTP, RTSP, SMTP, SNMP, TCP, UDP, UPnP

### Audio

Audio compression	G.711a, G.711u, G.722, G.726, MP2L2
Audio in	1 Mic in / Line in interface, line input: 2-2.4V[p-p]; output impedance: 1KΩ, ±10%
Audio out	1 Audio output interface, line level, impedance: 600Ω

### Alarm I/O

Alarm inputs	7
Alarm outputs	2

### Storage

Local storage type	Micro SD/SDHC/SDXC slot (card not included)
Max. SD card capacity	up to 128GB

### Video intelligence

Smart event	Audio exception detection, Face detection, Intelligent tracking, Intrusion detection, Line crossing detection, Object removal detection, Region entrance detection, Region exiting detection, Unattended baggage detection
-------------	--

### Electrical

Operating voltage	24 VAC Hi-PoE
Power consumption	Max. 60W
Current consumption	Max. 3A

### Physical

Physical dimensions	260 x 327 mm 10.24 x 12.87 in.
Net weight	6 kg 13.23 lbs.
Form Factor	PTZ
Mount	Wall mount

### Environmental

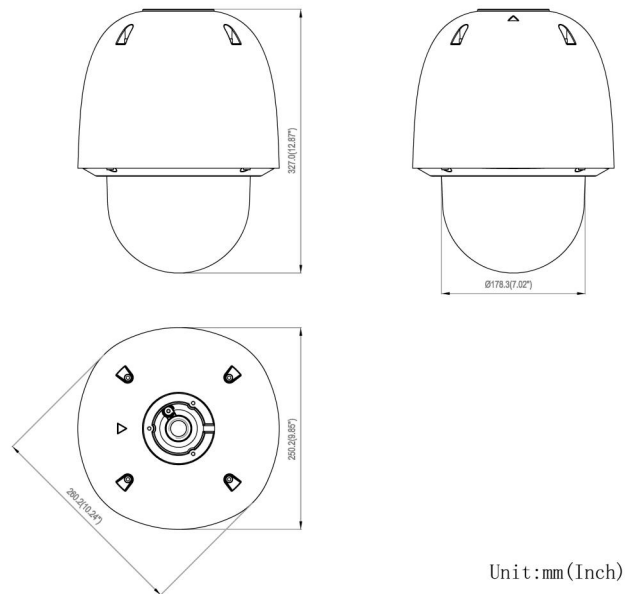
Vandal proof	Yes
Impact rating	IK10
Environment	Indoor, Outdoor
Operating temperature	-40 to 65°C -40 to 149°F
Relative humidity	≤ 90% noncondensing
IP rating	IP67

### Regulatory

Compliance	CE, FCC, REACH, RoHS, UL, WEEE
------------	--------------------------------

# TVP-5104

TruVision 2 MPX IP PTZ camera, Outdoor, Pendant/Wall Mount, Super Low Light, True D/N, WDR, H.265, ONVIF/PSIA, 25X Optical zoom, SDHC Card slot, Hi-PoE/24VAC



Unit:mm (Inch)



As a company of innovation, Carrier Fire & Security reserves the right to change product specifications without notice. For the latest product specifications, visit [firesecurityproducts.com](http://firesecurityproducts.com) online or contact your sales representative.

Last updated on 5 December 2023 - 17:54