

TVE-DEC12

TruVision Decoder for 16 Full HD streams, 3 outputs (HDMI, VGA, BNC), 12 VDC

Overview

The TruVision Video Decoder TVE-DEC12 is the ideal solution to decode IP video streams and show them on an analog or digital video output. Based on an advanced DSP and stable embedded system design, the TruVision video decoder provides high-resolution decoding functionality for live view from TruVision IP cameras, encoders, DVRs and NVRs.

Strong performance

The TVE-DEC12 can decode streams up to 12MPX. The unit can decode up to a maximum of 16 Full HD streams at the same time in H.264 or H.265 compression. These decoded streams can be shown on one of three monitor outputs using the pre-defined layouts. The decoder can also use the three monitor outputs at the same time and create a small video wall.

Thanks to the flexible tile layout, a stream can be shown over two monitors (HDMI & VGA).

The Scene feature lets the user create pre-defined layouts of streams that can be activated by a single click of a button.

Besides decoding streams from TruVision devices, the decoder can also decode ONVIF and RSTP streams.

Integration with TruVision Navigator software

The TVE-DEC12 has been integrated in the TruVision Navigator software (as of 8.0 SP2). This feature lets the user create scenes containing video streams from cameras that have been added in the TruVision software.

This means that static video layouts can be displayed via the decoder without using PC resources for decoding.

Why TVE-DEC12?

The TVE-DEC12 is a powerful device that can show video streams on up to three monitors without the use of a PC.

The integration in TruVision Navigator helps to lower the PC load for decoding video.

Applications

For showing video streams on confrontation monitors in retail.

In guarding rooms as a video wall (3 monitors) in combination with TruVision Navigator software.

At (remote) guard desks or offices for site monitoring.



Details

- Supports H.264 and H.265 compression
- Powerful decoding capability, up to 12MPX
- Can simultaneously decode up to a maximum of 16 video streams in Full HD
- Multiple video display outputs: You can decode different cameras on the HDMI, VGA and BNC output.
- Compatible with Interlogix TruVision IP cameras, TruVision recorders and TruVision encoders
- Supports decoding for ONVIF and RTSP streams
- Can be used as video wall with a HDMI, VGA and BNC monitor
- Integrated in TruVision Navigator (version 8.1 SP2)

TVE-DEC12

TruVision Decoder for 16 Full HD streams, 3 outputs (HDMI, VGA, BNC), 12 VDC

Technical specifications

General

Technology	Decoder (IP to Analog)
Video Decoding Channels	12 MPX@20fps: 2 channels / 8 MPX@25fps: 4 channels / 5 MPX@25fps: 6 channels / 3 MPX@25fps: 10 channels / 1080P (and lower) @25fps: 16 channels

Video / audio inputs

Video standard	NTSC, PAL
Video compression	H.264, H.265
Audio compression	AAC, G.711a, G.711u, G.722, G.726, MPEG2-L2
Bi-directional audio inputs	2-ch, 3.5mm connector (2.0 Vp-p, 1 kΩ)

Video / audio outputs

Video outputs	BNC, HDMI, VGA
Multiscreen display	Full screen, 1x2, 2x2, 1+5, 1+7, 3x3, 3x4, 4x4
Audio outputs	1-channel, RCA

Interfaces

Network interface	1, RJ45 10 M / 100 M / 1000 M Auto-Negotiate Ethernet Interface
Serial interface	RS-232, RS-485

Electrical

Power supply type	VDC
Power supply value	12 VDC
Power consumption	15 W
Current consumption	3.33 A

Physical

Physical dimensions	220 x 148 x 45 mm
Net weight	1120 g
Form factor	Desktop

Environmental

Operating temperature	-10 to +55 C° 14 to 131 °F
Relative humidity	10 to 90% noncondensing

Regulatory

Compliance	C-tick, CE, FCC, REACH, RoHS, UL, WEEE
------------	--

Video / audio inputs

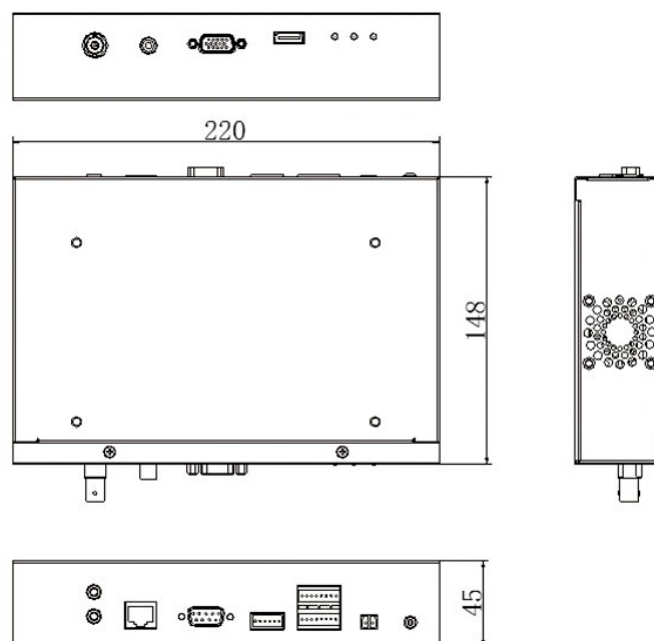
Incoming bandwidth	64 Mbps
--------------------	---------

Video / audio outputs

HDMI	1 channel / 4K: 3840x2160@30Hz 1080P: 1920x1080@50/60Hz WSXGA:1680x1050@60Hz UXGA:1600x1200@60Hz 720P:1280x720@50Hz/60Hz SXGA:1280x1024@60Hz XGA:1024x768@60Hz
VGA	1 channel / 1080P: 1920x1080@50/60Hz WSXGA:1680x1050@60Hz SXGA:1280x1024@60Hz XGA:1024x768@60H
BNC	1 channel / 960H

Supported products

Devices	See User Manual.
---------	------------------



As a company of innovation, Carrier Fire & Security reserves the right to change product specifications without notice. For the latest product specifications, visit firesecurityproducts.com online or contact your sales representative.

Last updated on 19 August 2024 - 16:23