

ZP2 Series Quick Installation Guide

Overview

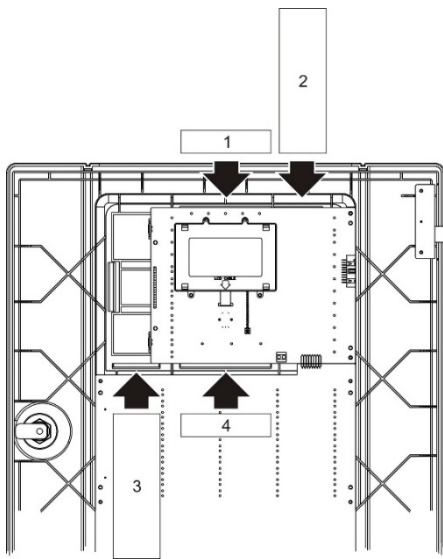
This document includes quick installation information for your control panel. For detailed installation information (including EN 54-13 requirements) and for configuration options, see the product installation manual.

WARNING: Electrocution hazard. To avoid personal injury or death from electrocution, remove all sources of power and allow stored energy to discharge before installing or removing equipment.

Caution: Equipment damage hazard. This product is sensitive to electrostatic discharge (ESD). To avoid damage, follow accepted ESD handling procedures.

Adding the menu inserts

Add the control panel interface menus as shown below.



The inserts are numbered 1, 2, 3, and 4, and are inserted at the location indicated (with the printed area facing the front of the control panel).

For evacuation panels, remember to add descriptions for any output groups assigned to the programmable buttons to insert 3.

Note: Different versions of insert 3 are provided for fire panels and for evacuation panels, and each is marked with the corresponding control panel product code. Be sure to use the correct version of the insert for your product.

Installing the cabinet

Where to install the control panel

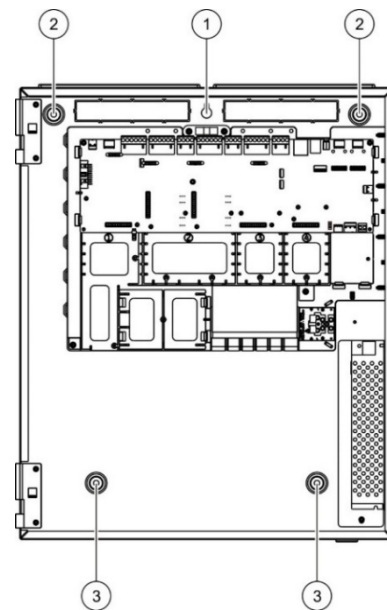
Install the control panel in a location that is free from construction dust and debris, and immune to extreme temperature ranges and humidity.

Provide enough floor and wall space to allow the control panel to be installed and serviced without any obstructions. The cabinet should be mounted so that the user interface is at eye level.

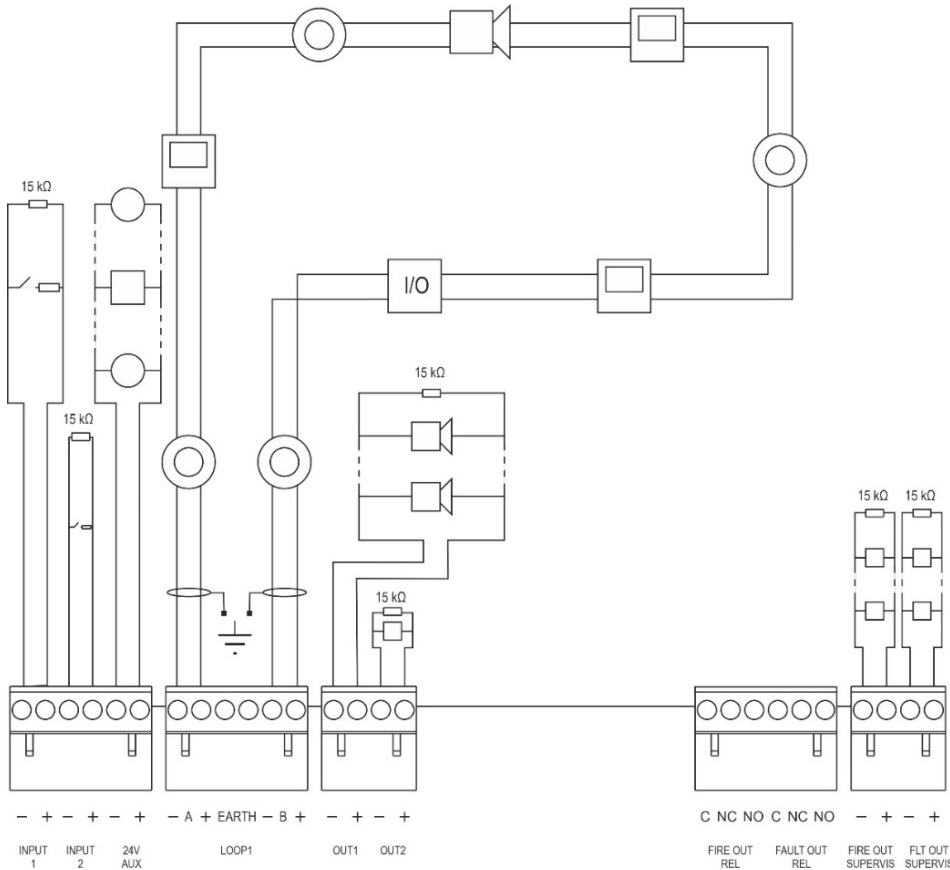
Fixing the cabinet to the wall

Fix the cabinet to the wall using five M4 × 30 screws and five Ø 6 mm wall plugs, as shown below.

1. Hold the cabinet to the wall at the required installation height.
2. Ensure that the cabinet is level using the built-in spirit level and mark drill points on the wall.
3. Drill all required holes and insert a 6 mm wall plug into each.
4. Insert a screw in position (1) and hang the cabinet onto this screw.
5. Insert screws in positions (2) and tighten.
6. Insert screws in position (3) and tighten.
7. Tighten screw in position (1).



Overview of typical fire system connections using a single Class A loop



Connecting loops and loop devices

For optimal system performance, we recommend a shielded loop cable, 12 to 26 AWG (0.13 to 3.31 mm²), with 75 Ω max. and 700 nF max. (based on 3.5 km max. cable length with 2 mm² diameter).

Caution: Connect the earth shield to the earth studs in the control panel cabinet, not to the loop EARTH connector.

Class A loops are supervised for open and short circuits. Terminate unused Class A loops A (+) to B (+) and A (-) to B (-). Each Class A loop can support up to 127 devices.

See the product installation manual for Class B loop connection information.

Connecting inputs and outputs

Caution: The following connection information does not apply to installations requiring EN 54-13 compliance. If EN 54-13 compliance is required, see the product installation manual.

All inputs and outputs (except 24V AUX) require a 15 kΩ end-of-line resistor for termination to detect open or short circuits. If an input or output is not used, install a 15 kΩ end-of-line resistor across the unused terminals to avoid an open circuit fault.

Connect input switches to INPUT1 and INPUT2 ($62 \Omega \leq \text{active value} \leq 8 \text{ k}\Omega$).

When connecting outputs, observe polarity or install a 1N4007 diode or equivalent to avoid inverted activation issues.

See the product installation manual for input and output configuration options.

Mains fuse and batteries

Use a T4A-250V mains fuse for both 110 VAC and 240 VAC operation. Check the product installation manual for 110 VAC operation requirements.

The control panel requires two 12 V, 7.2, 12, or 18 Ah rechargeable sealed lead-acid batteries.

For detailed battery requirements, see the product installation manual.

Configuration

See your product installation manual for detailed configuration information. The default installer password is 4444.

Contact information and product documentation

For contact information or to download the latest product documentation, visit firesecurityproducts.com.

Product warnings and disclaimers

THESE PRODUCTS ARE INTENDED FOR SALE TO AND INSTALLATION BY QUALIFIED PROFESSIONALS. CARRIER FIRE & SECURITY B.V. CANNOT PROVIDE ANY ASSURANCE THAT ANY PERSON OR ENTITY BUYING ITS PRODUCTS, INCLUDING ANY "AUTHORIZED DEALER" OR "AUTHORIZED RESELLER", IS PROPERLY TRAINED OR EXPERIENCED TO CORRECTLY INSTALL FIRE AND SECURITY RELATED PRODUCTS.

For more information on warranty disclaimers and product safety information, please check <https://firesecurityproducts.com/policy/product-warning/> or scan the QR code:

