

ACL800SUW-RDMF Surface Mount Mifare Reader Installation Sheet



Description

These surface mount proximity readers include a buzzer and a tri-color LED for state indication (access granted, access denied or idle).

ACL800SUW-RDMF has automatic Wiegand output (32 or 56 bit) and is capable of reading Mifare cards/fobs (13.56 MHz).

Mounting

Figure 1: Mounting instructions



Wiring

Figure 2: Wiring instructions

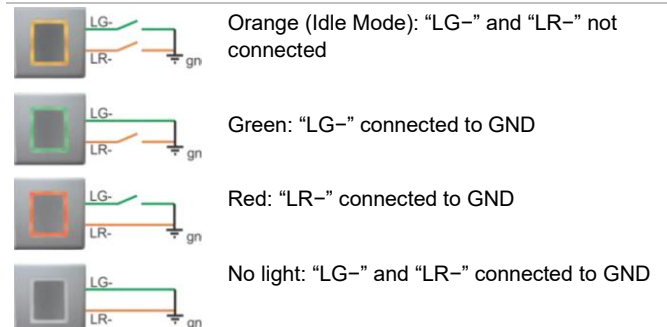


| | | | |
|---|------|--------|-----------------|
| 1 | tamp | Grey | Tamper |
| 2 | tamp | Blue | Tamper |
| 3 | LG- | Yellow | LED Green minus |
| 4 | LR- | Orange | LED Red minus |
| 5 | GND | Black | Ground |

| | | | |
|---|-------|-------|-------------|
| 6 | +12 V | Red | 9 to 14 VDC |
| 7 | D0 | Green | Data 0 |
| 8 | D1 | White | Data 1 |

Tricolor LED and DIP switch LED

Figure 3: LED



Backlight and Buzzer

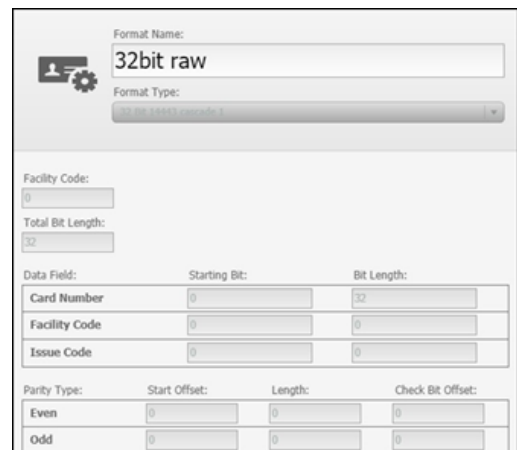
1. Backlight in idle mode ON/OFF
2. Buzzer on read card ON/OFF



Settings in TruPortal software

Go to System Administration > Card formats. Create custom Wiegand format for Wiegand 56 bit and Wiegand 32 bits.

The reader will send the Wiegand format according to the card format. If the card presented has 56-bit number, the reader will send Wiegand 56 bit. If the card presented has 32-bit number, the reader will send Wiegand 32 bit.



Format Name: 32bit raw

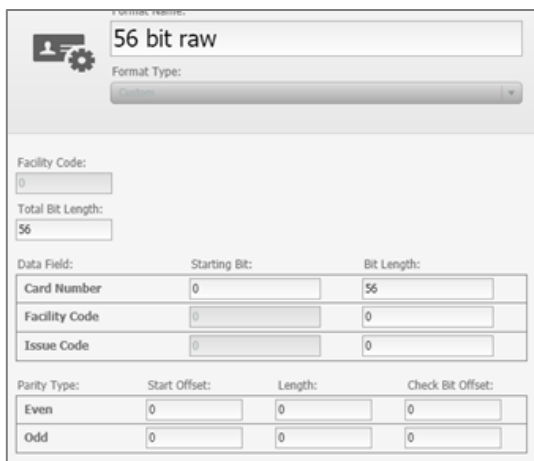
Format Type: 32bit raw

Facility Code: 0

Total Bit Length: 32

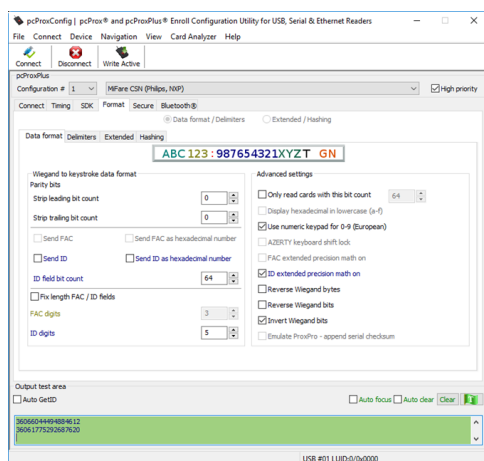
| Data Field: | Starting Bit: | Bit Length: |
|---------------|---------------|-------------|
| Card Number | 0 | 32 |
| Facility Code | 0 | 0 |
| Issue Code | 0 | 0 |

| Parity Type: | Start Offset: | Length: | Check Bit Offset: |
|--------------|---------------|---------|-------------------|
| Even | 0 | 0 | 0 |
| Odd | 0 | 0 | 0 |



Settings in pcProxConfig software

Select Mifare CSN (Philips, NXP) as card type. Use these settings in the pcProxConfig software when reading Mifare card via the TP-RDR-LRN desktop reader.



Specifications

| | |
|------------------------|---|
| Operating voltage | 9 to 14 VDC |
| Current consumption | 150 mA at 12 VDC |
| Wiegand Interface | Wiegand 32 or 56 bit, according to the ID length of the card |
| Wiegand 32 description | 32 data bits Pulse width: 100 µs Pause: 1 ms |
| Wiegand 56 description | 56 data bits Pulse width: 100 µs Pause: 1 ms |
| Operating frequency | 13.56 MHz |
| Card technology | CSN only for the technology: Mifare Classic, Mifare Plus, Mifare Ultralight, Mifare DESFire |
| Read Range | Up to 6 cm, depending on the card type |
| Buzzer ON/OFF | Yes, by DIP switch |
| LED | Tricolor |
| LED control | Yes, by wires |
| Backlight ON/OFF | Yes, by DIP switch |
| Tamper | Yes |
| Cable distance | 50 m according to Wiegand standard |
| Panel connection | Cable, 1 m |

| | |
|----------------------------|------------------------|
| Material of design housing | ABS |
| Dimensions (W x H x D) | 51 x 92 x 27 mm |
| Operating Temperature | -20 to +50°C |
| Relative humidity | 0 to 95% noncondensing |
| Shipping weight | 120 g |
| Product weight | 50 g |

Regulatory information

| | |
|--------------|---|
| Manufacturer | PLACED ON THE MARKET BY: Carrier Fire & Security Americas Corporation Inc. 13995 Pasteur Blvd Palm Beach Gardens, FL 33418, USA AUTHORIZED EU REPRESENTATIVE: Carrier Fire & Security B.V. Kelvinstraat 7, 6003 DH Weert, Netherlands |
|--------------|---|

Product warnings and disclaimers



THESE PRODUCTS ARE INTENDED FOR SALE TO AND INSTALLATION BY QUALIFIED PROFESSIONALS. CARRIER FIRE & SECURITY CANNOT PROVIDE ANY ASSURANCE THAT ANY PERSON OR ENTITY BUYING ITS PRODUCTS, INCLUDING ANY "AUTHORIZED DEALER" OR "AUTHORIZED RESELLER", IS PROPERLY TRAINED OR EXPERIENCED TO CORRECTLY INSTALL FIRE AND SECURITY RELATED PRODUCTS.

For more information on warranty disclaimers and product safety information, please check <https://firesecurityproducts.com/policy/product-warning/> or scan the QR code.



European Union directives

Carrier Fire & Security hereby declares that this device is in compliance with the applicable requirements and provisions of all applicable rules and regulations, including but not limited to the Directive 2014/53/EU. For more information see: firesecurityproducts.com

REACH

Product may contain substances that are also Candidate List substances in a concentration above 0.1% w/w, per the most recently published Candidate List found at ECHA Web site.

Safe use information can be found at <https://firesecurityproducts.com/en/content/intrusion-intro>



2012/19/EU (WEEE directive): Products marked with this symbol cannot be disposed of as unsorted municipal waste in the European Union. For proper recycling, return this product to your local supplier upon the purchase of equivalent new equipment, or dispose of it at designated collection points. For more information see: recyclethis.info

Product documentation

Please consult the following web link to retrieve the electronic version of the product documentation.



This link will guide you to the EMEA regional contact page. On this page you can request your login to the secured web portal where all manuals are stored.

<https://firesecurityproducts.com/en/contact>

Contact information

firesecurityproducts.com or www.aritech.com