

TVD-SNB-BB Back Box Installation Instructions

Description

Weight: 485 g (1.07 lb.)

Dimensions: 182 x 99.5 x 42 mm (7.1 x 3.9 x 1.6 in.)

Supported wall mounts: TVD-SNB, TVD-M2-WM

Figure 1: Dimensions of the back box

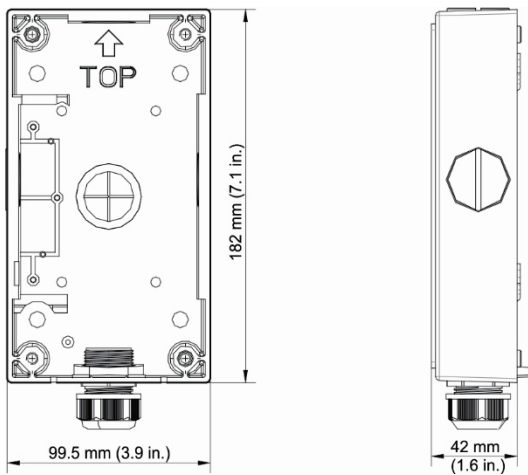
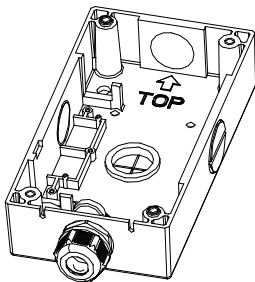


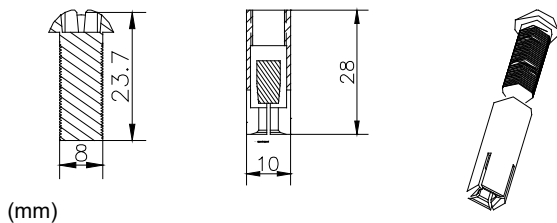
Figure 2: Top view



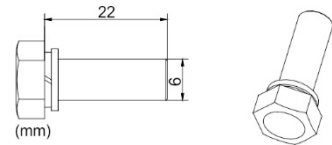
Accessories

The back box is shipped with:

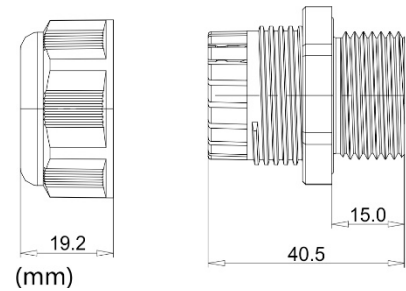
- Expansion screws (4 pieces)



- HM 6 x 22 mm screws (4 pieces with flat and lock washers)

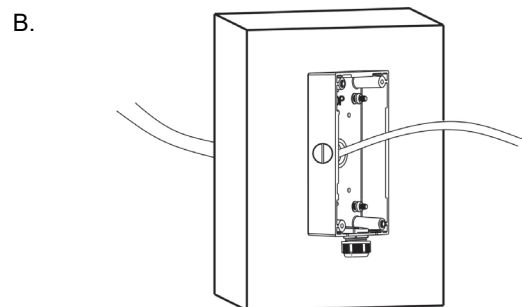
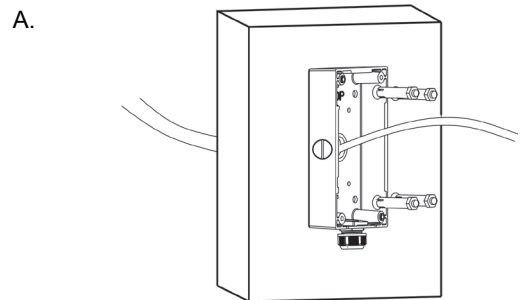


- G 3/4 (one pre-installed on the back box, two in the package box)

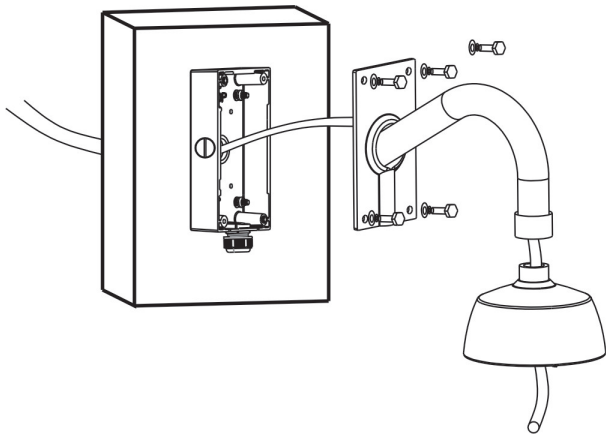


Installation



- Mount the back box to the wall with the four expansion screws supplied.



- Install the swan neck bracket to the back box using the four HM 6 x 22 mm screws and lock washers supplied.



Legal and regulatory information

Copyright	<p>© 2021 Carrier. All rights reserved. Specifications subject to change without prior notice.</p> <p>This document may not be copied in whole or in part or otherwise reproduced without prior written consent from Carrier, except where specifically permitted under US and international copyright law.</p>
Trademarks and patents	<p>TruVision names and logos are a product brand of Aritech, a part of Carrier.</p> <p>Other trade names used in this document may be trademarks or registered trademarks of the manufacturers or vendors of the respective products.</p>
Certification	
EU directives	
Contact information	<p>EMEA: https://firesecurityproducts.com</p> <p>Australian/New Zealand: https://firesecurityproducts.com.au/</p>
Product documentation	<p>Please consult the following web link to retrieve the electronic version of the product documentation. The manuals are available in several languages.</p>

