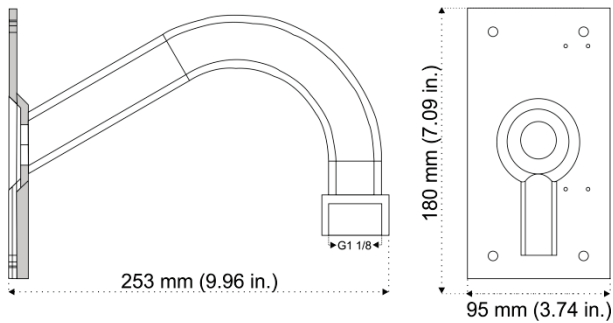


# TruVision TVD-SNB Swan Neck Wall Mount Installation Instructions

## Specifications

**Dimensions:** 253 × 95 × 180 mm (9.96 × 3.74 × 7.09 in.)



## Pipe threading information

Pipe thread size	Threads/ in	Pitch (mm)	Thread major diameter	
			(mm)	(in.)
G 1	11	2.309	33.249	1.309

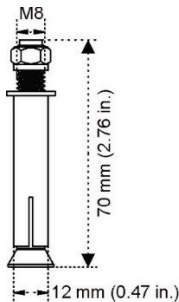
Corresponding pipe				Tapping drill size (mm)
DN	OD (mm)	OD (in.)	Thickness (mm)	
25	33.7	1.33	3.2	30.75

**Weight:** 490 g (1.2 lb.)

## Accessories:

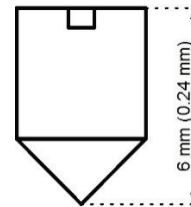
Expansion anchors A: 5 pcs

Used to install the wall mount to the mounting surface.



Screw A: 2 pcs.

Used to secure the cup base to the wall mount.



## Supported cup bases, back box, and accessories

The swan neck wall mount can be used with following TruVision accessories:

- TVW-AWB-1
- TVW-DVM
- TVD-CB2
- TVD-CB3
- TVD-M-CMA Corner Mount
- TVD-M-PMA Pole Mount
- TVD-CB5A
- TVD-CB6
- TVD-CB7
- TVF-CBM
- TVD-SNB-BB Wall Mount Back Box

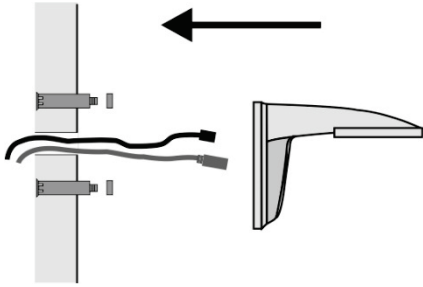
## Installation

For detailed instructions, refer to the installation guide for the camera that you are installing. The following requirements are mandatory precautions.

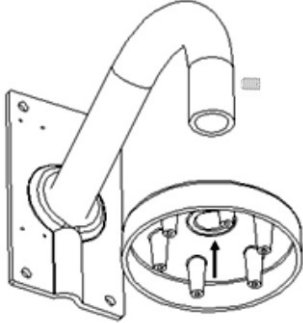
- The wall must be thick enough to install the expansion anchors.
- Ensure that the wall is strong enough to withstand more than eight times the weight of the camera and wall mount.

## To attach the wall mount (TVD-SNB) to a mounting surface:

1. Choose the appropriate location on the mounting surface. Use the wall mount base to mark the holes for the expansion anchors and to also provide access for the cable harness prior to installing with the mount.
2. Drill holes in the mounting surface and install the four expansion anchors.
3. Route the cables through the wall mount.
4. Secure the wall mount to the mounting surface using the hardware provided with the expansion anchors (A).



5. Screw the cup base onto the swan neck wall mount and tighten with the locking screw A, as shown below.



6. To complete camera installation, refer to the installation instructions for the specific camera and accessories.

## Legal and regulatory information

Copyright	<p>© 2021 Carrier. All rights reserved. Specifications subject to change without prior notice.</p> <p>This document may not be copied in whole or in part or otherwise reproduced without prior written consent from Carrier, except where specifically permitted under US and international copyright law.</p>
Trademarks and patents	<p>TruVision names and logos are a product brand of Aritech, a part of Carrier.</p> <p>Other trade names used in this document may be trademarks or registered trademarks of the manufacturers or vendors of the respective products.</p>
Certification	
Contact information	<p>EMEA: <a href="https://firesecurityproducts.com">https://firesecurityproducts.com</a></p> <p>Australian/New Zealand: <a href="https://firesecurityproducts.com.au/">https://firesecurityproducts.com.au/</a></p>
Product documentation	<p>Please consult the following web link to retrieve the electronic version of the product documentation. The manuals are available in several languages.</p>

