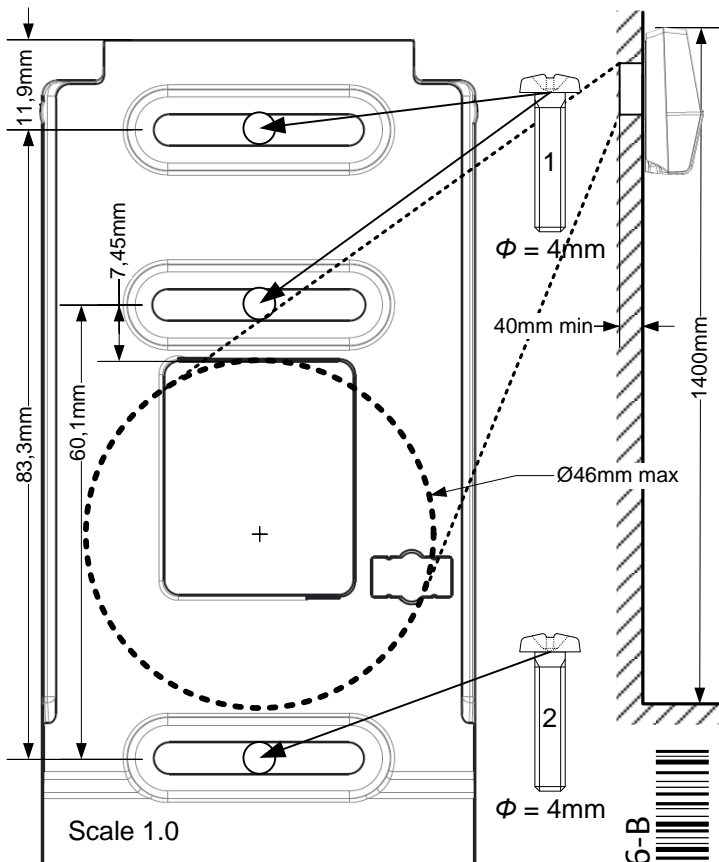


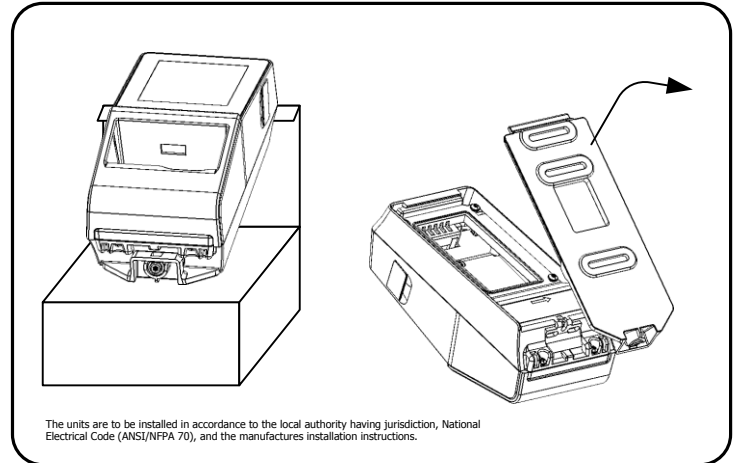
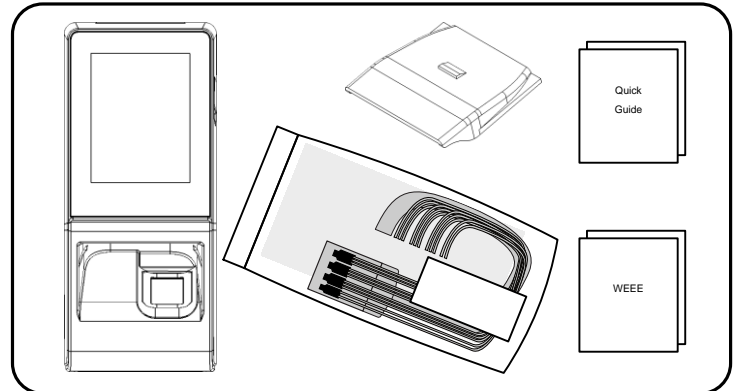
MorphoAccess® SIGMA Lite Series

Quick Installation Guide



Detailed instructions are available at
Des instructions détaillées sont disponibles sur
El detalle de las instrucciones está disponible en
www.biometric-terminals.com

Head office :
11, boulevard Gallieni – 92130 Issy-les-Moulineaux



The units are to be installed in accordance with the local authority having jurisdiction, National Electrical Code (ANSI/NFPA 70), and the manufactures installation instructions.

