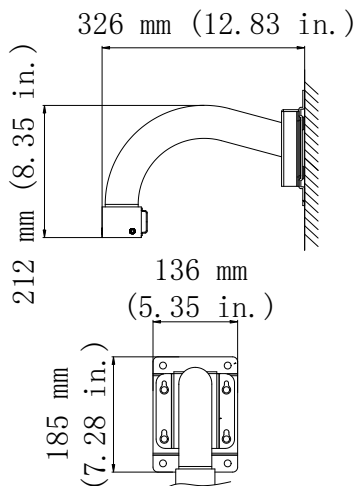


TVP-WBS Stainless Steel PTZ Wall Mount Installation Instructions

Specifications

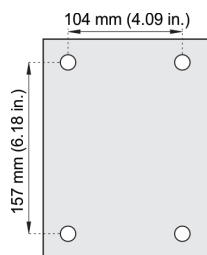
Dimensions: 212 × 136 × 326 mm
(8.35 × 5.35 × 12.83 in.)



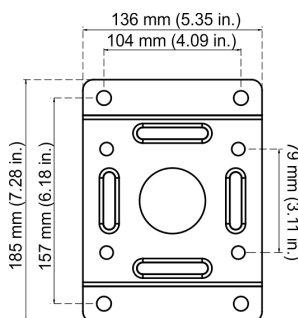
Weight: 2.30 kg (5.07 lbs.)

Accessories:

Drill template: 1 pcs

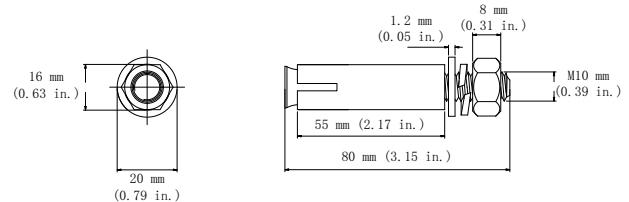


Mounting plate : 1 pcs
185 x 136 mm (7.27 x 5.35 in.)



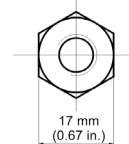
Expansion anchors: M10 x 80 mm (4 pcs)

Used to install the TVP-WBS stainless wall mount to the mounting surface.

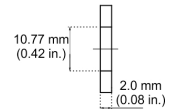
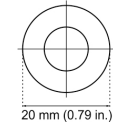


Nut (4 pcs), flat washer (4 pcs), and split washer (4 pcs) A
Used to mount the pipe assembly to the mounting plate

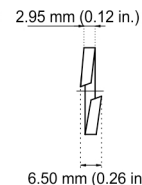
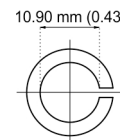
Nut:



Flat washer:



Split washer:



Supported cameras

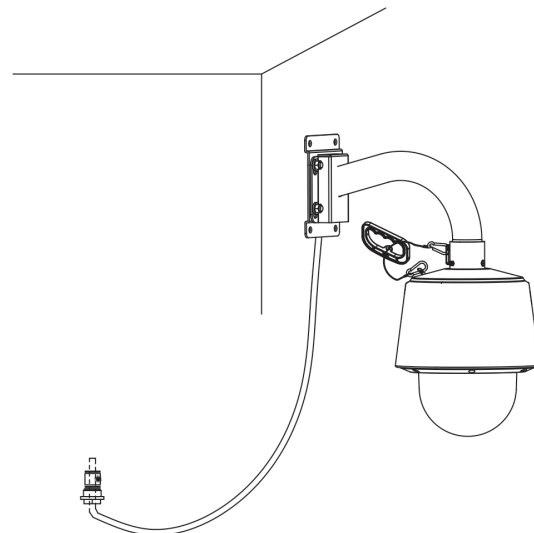
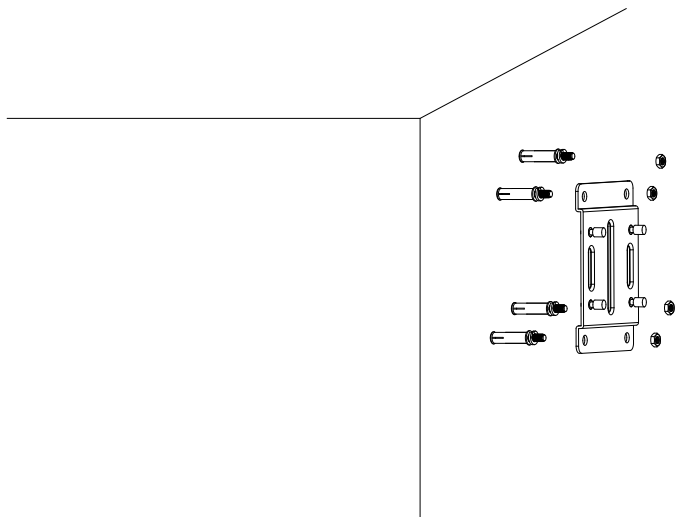
The stainless steel wall mount can be used with following cameras:

| | |
|---------------------------|----------|
| Stainless Steel PTZ Dome: | TVP-5201 |
|---------------------------|----------|

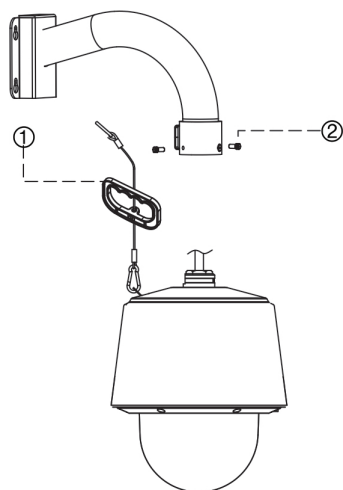
Installation

To install the stainless steel PTZ dome to the TVP-WBS:

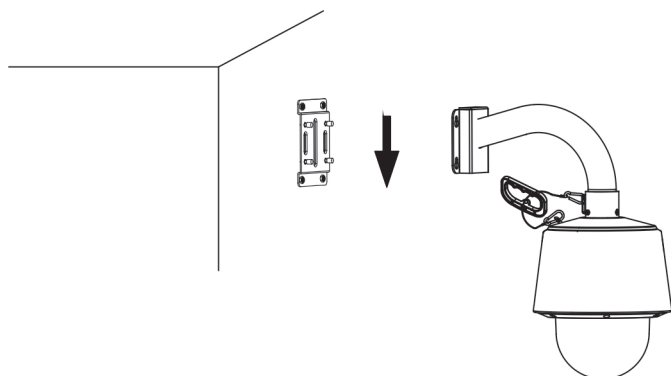
- Using the drill template mark the mounting surface. Drill four mounting holes and insert the expansion anchors.
- Secure the mounting plate to the mounting surface using the expansion anchors.



3. Route the PTZ cable assembly through the mount.
4. Using the hex wrench that is included with the SS PTZ, loosen the two hex head screws (2) on the mount (see the figure in step 6).
5. To install the PTZ to the wall mount, line up the flat section of the metal ring (cable harness) at the top of the PTZ with the safety lanyard screw on the wall mount. Once the PTZ is up against the end of the wall mount, rotate the PTZ 45 degrees. Tighten down the two hex screws to secure the PTZ in place.
6. Attach the safety lanyard (1) to the PTZ and wall mount.



8. Attach the wall mount to the mounting plate, by sliding the mount into place, as shown below.



9. Use the nut and washers A to secure the wall mount to the mounting plate.

Legal and regulatory information

| | |
|------------------------|--|
| Trademarks and patents | The trade names used in this document may be trademarks or registered trademarks of the manufacturers or vendors of the respective products. |
| Manufacturer | Interlogix. 2955 Red Hill Avenue, Costa Mesa, CA 92626 5923, USA Authorized EU manufacturing representative: UTC Fire & Security B.V. Kelvinstraat 7, 6003 DH Weert, The Netherlands |

Certification



Product warnings and disclaimers

THESE PRODUCTS ARE INTENDED FOR SALE TO AND INSTALLATION BY QUALIFIED PROFESSIONALS. UTC FIRE & SECURITY CANNOT PROVIDE ANY ASSURANCE THAT ANY PERSON OR ENTITY BUYING ITS PRODUCTS, INCLUDING ANY "AUTHORIZED DEALER" OR "AUTHORIZED RESELLER", IS PROPERLY TRAINED OR EXPERIENCED TO CORRECTLY INSTALL FIRE AND SECURITY RELATED PRODUCTS.

For more information on warranty disclaimers and product safety information, please check www.firesecurityproducts.com/policy/product-warning/ or scan the following code:



Contact information and manuals

For contact information go to: www.interlogix.com or www.firesecurityproducts.com
To get translations for this and other product manuals go to: www.firesecurityproducts.com